

### 1. General Information - Specifications

#### ⚠ ATTENTION - READ FIRST

- This document is for general guidance only. Refer to the Energy Intelligence (EI) Inverter Installation & Operations Manual for more detail.
- Before installing the system, verify that the package contents are intact and complete as per the packing list. Contact your dealer if there is equipment damage or missing components.

#### ⚠ ATTENTION - Use the appropriate QSG's to perform the physical installation of the EI system in the following order:

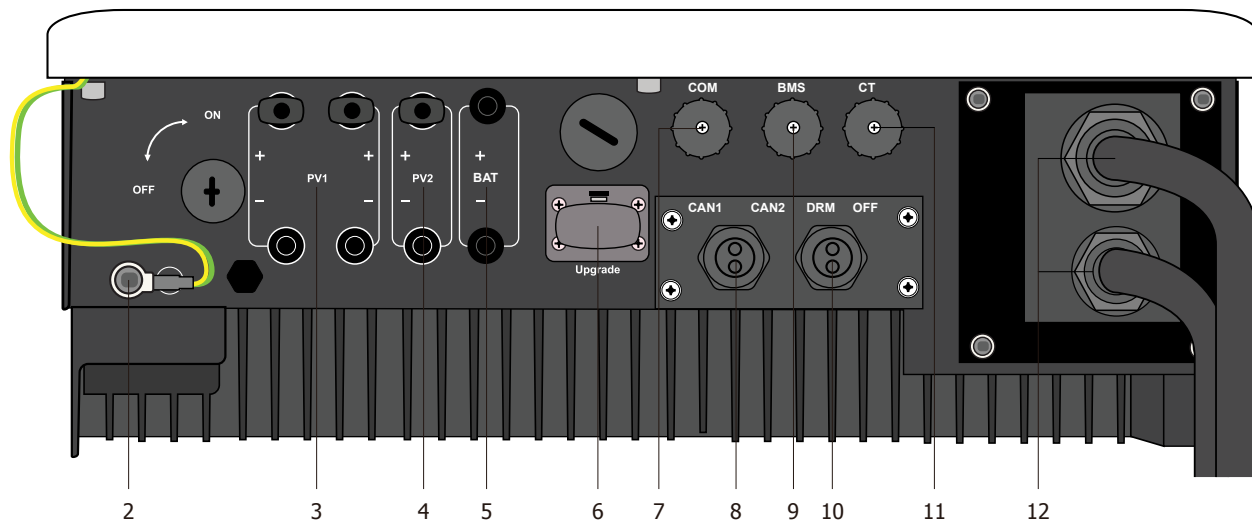
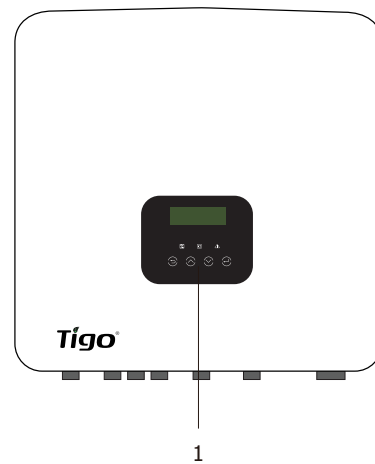
- EI Battery
- EI Inverter
- EI Link
- EI BMS



#### 1.1 Package Contents

Index	Item	Quantity
1	Three Phase EI Inverter	1
2	Inverter mounting bracket	1
3	Wall anchor, washer, lag bolt	3
4	M5 hex screw	1
5	Waterproof RJ-45 connector	1
6	RJ 45 terminals	3
7	Battery power cable connector	2
8	Safety manual	1
9	Quick installation guide	1

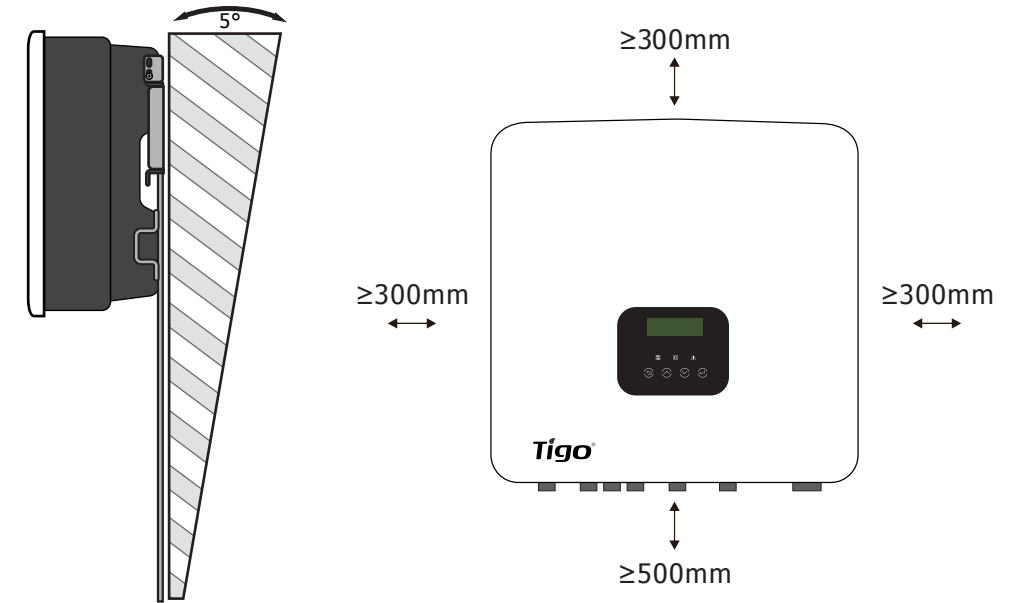
#### 1.2 EI Inverter Overview



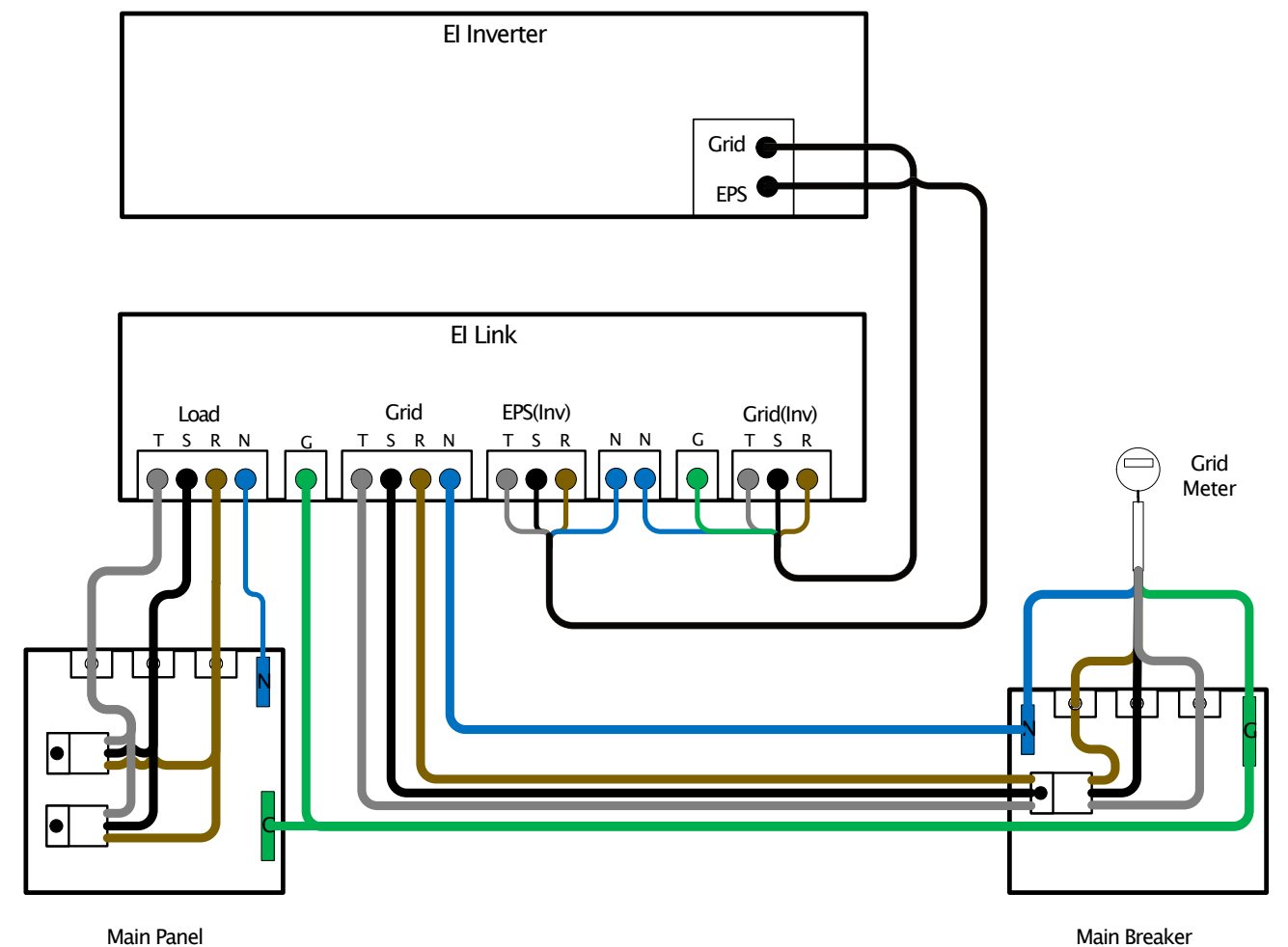
- |                    |                |                  |
|--------------------|----------------|------------------|
| 1. LCD Screen      | 5. BAT + & -   | 9. BMS           |
| 2. Grounding cable | 6. USB Update  | 10. DRM          |
| 3. PV1 + & -       | 7. COM         | 11. CT           |
| 4. PV2 + & -       | 8. CAN1 / CAN2 | 12. Grid and EPS |

#### 1.3 Installation Requirements

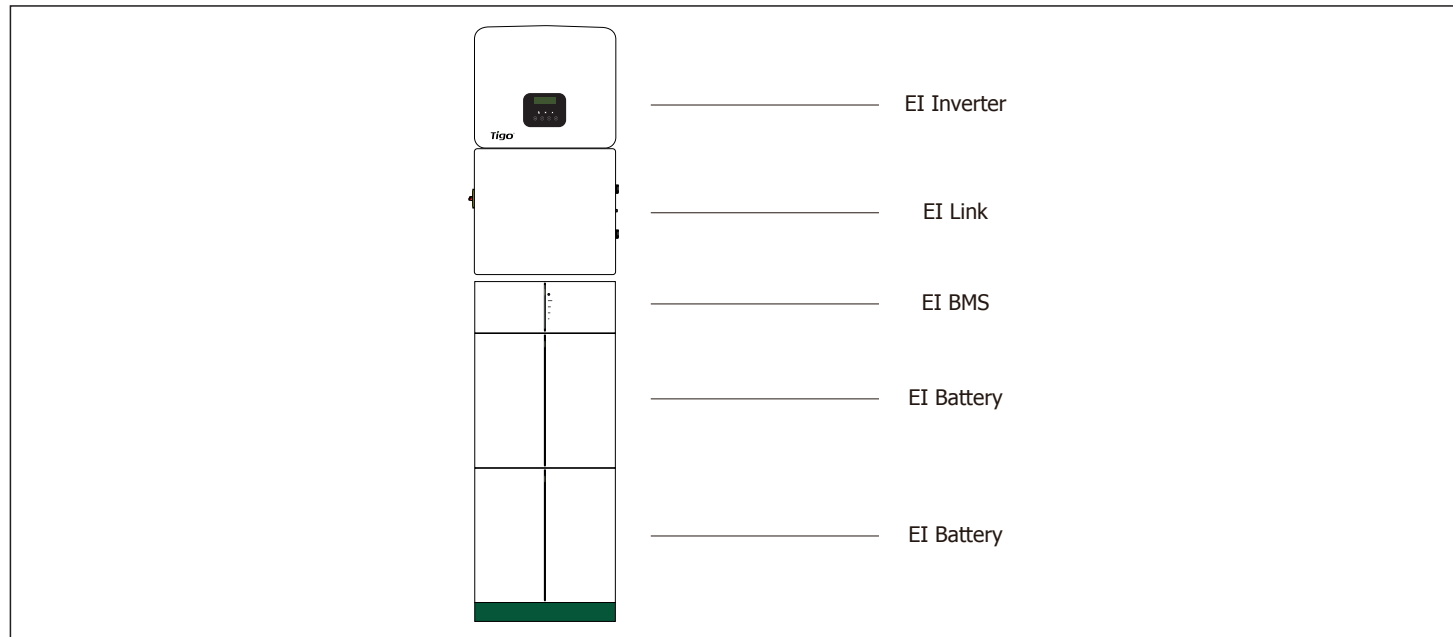
🌿 **NOTE: Do NOT install the EI inverter in direct sun, rain or snow.**



#### 1.4 Wiring Diagram



### 1.5 System configuration



## 2. Installation

**Note:** If installing the inverter without a battery, mount the inverter bracket on the wall. Proceed to Section 2.2

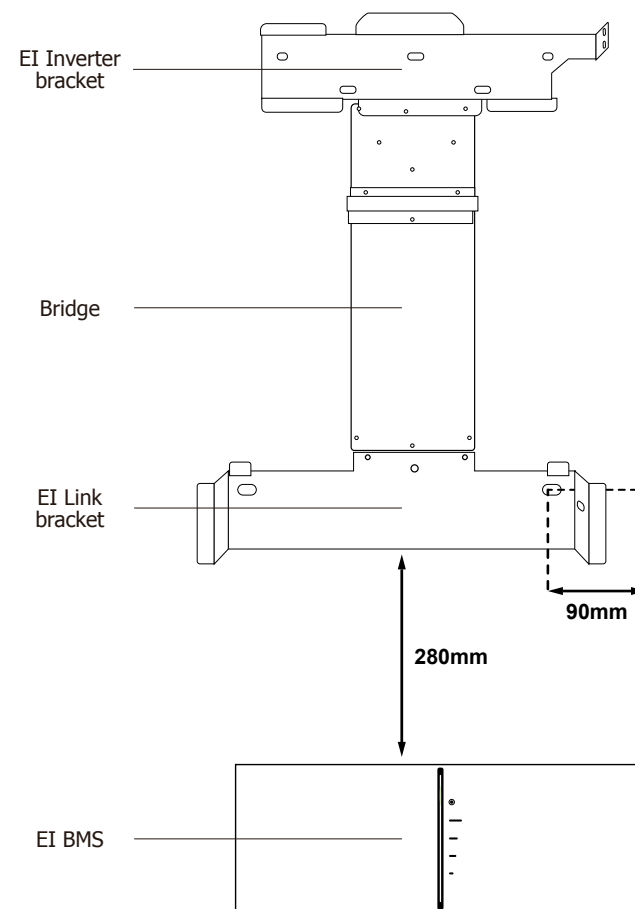
### 2.1 Wall Mount Bracket Assembly

**Note:** You must install the battery base using the EI Battery QSG before attempting to install the EI Inverter.

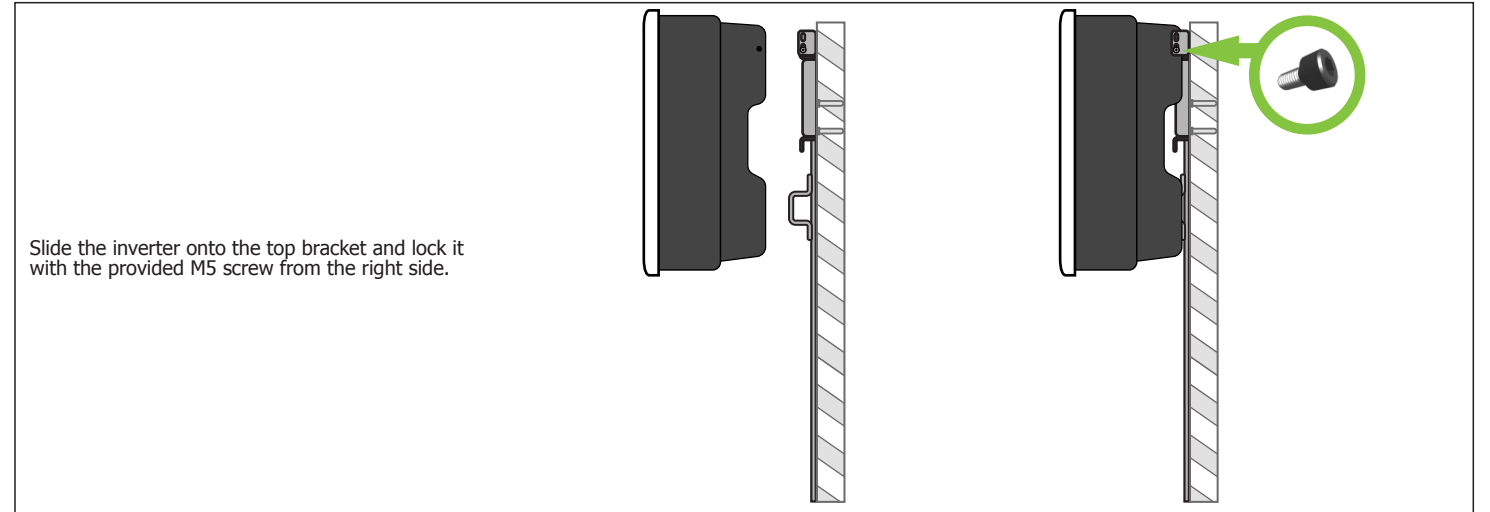
**Note:** Open each box and gather the mounting bracket pieces.

**Note:** The wall mount bracket is not centered above the EI BMS. Observe the annotated measurements.

- Assemble the brackets with provided flange nuts found in the respective boxes. If the system does not have battery, the inverter bracket must be at least 200mm above the ground.
- Assemble bracket:
  - Connect EI Inverter bracket to Bridge (found in EI Link box).
  - Connect Bridge to EI Link bracket (found in EI Link box).
- Place the assembled mounting bracket on the wall so the bottom of the bracket is 280 mm from the top of the EI BMS. This will ensure adequate wire management space. Also, the upper right mounting hole should be shifted 90 mm to the left of the right side of the EI BMS.
- Mark mounting holes on the wall.
- Remove bracket and drill out wall holes.
- Remount bracket to wall using appropriate mounting hardware.



### 2.2 Inverter Installation



## 3. Connections

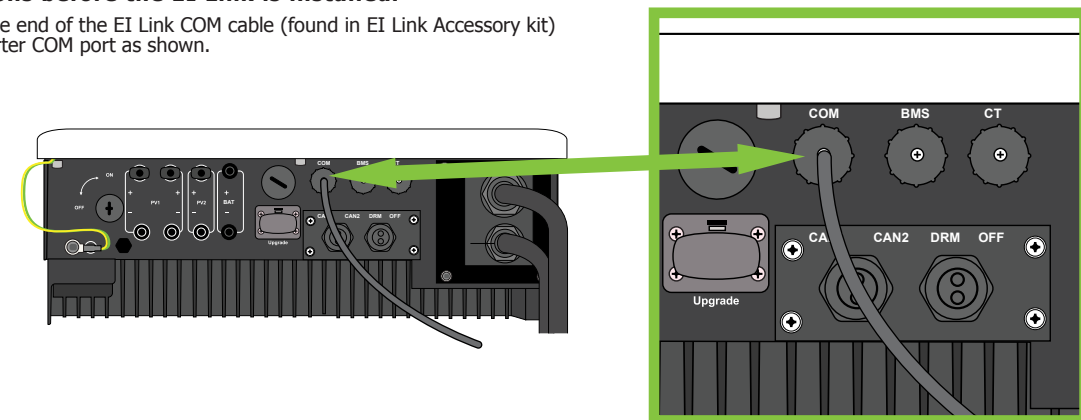
**CAUTION - Do not perform these steps when the system is energized. Remove all sources of power during installation.**

### 3.1 Inverter Wiring

#### 3.1.1 Connect EI Link COM cable

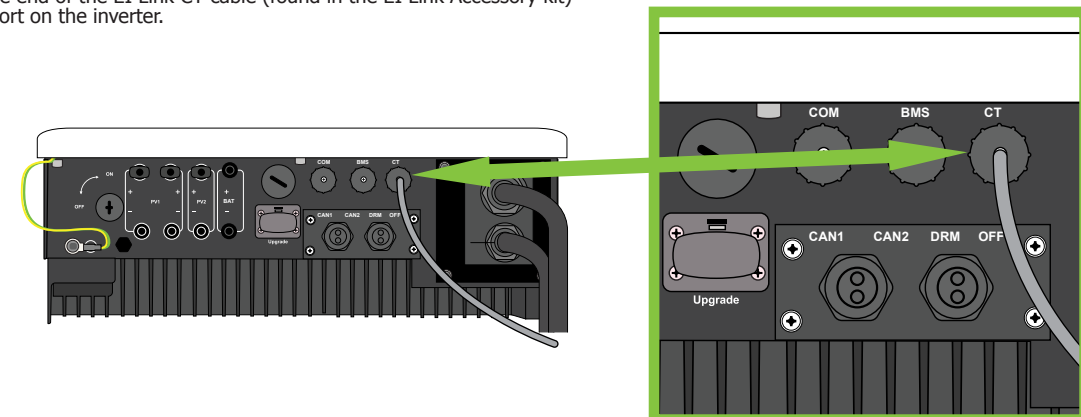
**Note:** It is easier to make these communication cable connections before the EI Link is installed.

- Connect one end of the EI Link COM cable (found in EI Link Accessory kit) to the inverter COM port as shown.



#### 3.1.2 Connect CT cable

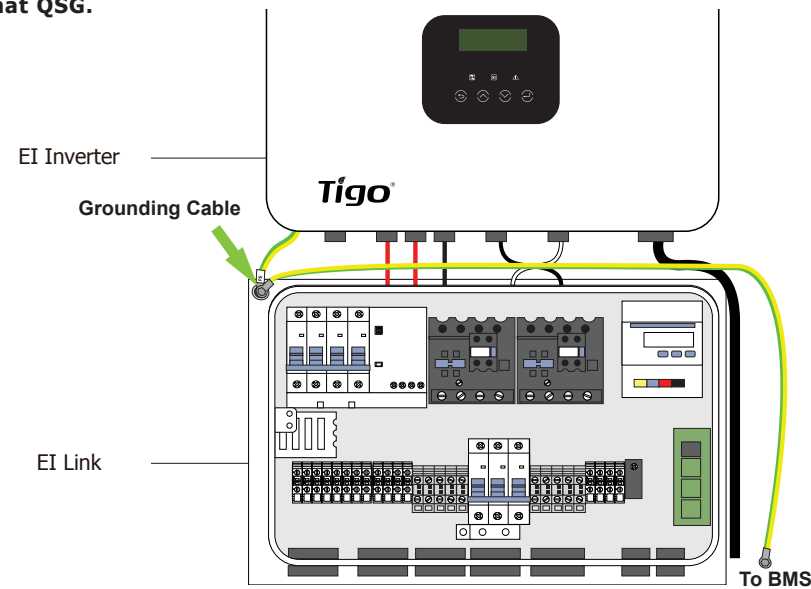
- Connect one end of the EI Link CT cable (found in the EI Link Accessory kit) to the CT port on the inverter.



### 3.1.4 Preinstalled Grounding Wire

**Note:** the EI Inverter grounding wire is preinstalled. It will be connected to the EI Link in a future step of that QSG.

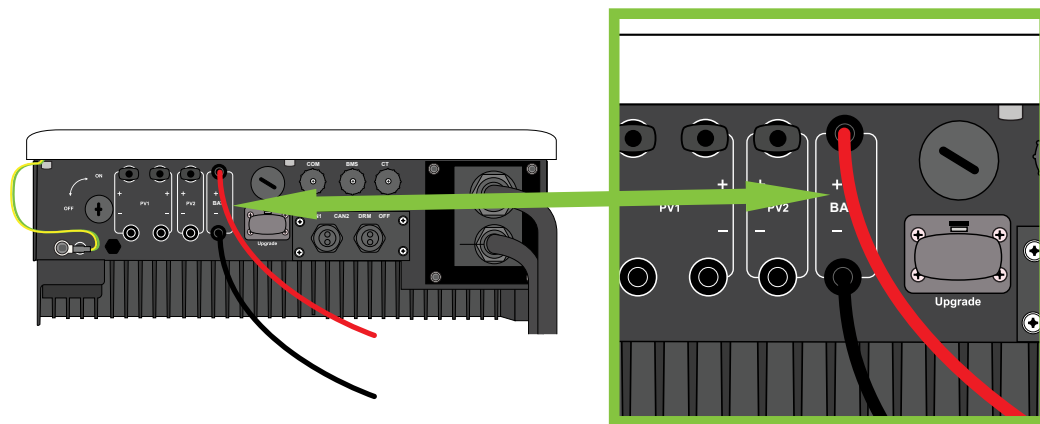
1. Connect the EI Link and EI Inverter grounding terminals with a properly sized grounding cable.
2. Connect the EI Link and BMS grounding terminals with a properly sized (installer made) grounding cable. (Future step)
3. Use a hex key to tighten all grounding lugs to 1.5NM.



### 3.1.5 Connect battery power cables

**Note:** The Battery charging power cables are located in the BMS Accessory Kit.

1. Remove the BAT caps on the bottom of the inverter
2. Connect one end of negative and positive Battery Power Cables (found in BMS box) to the BMS BAT- and BAT+ ports.
3. Connect the other end of the negative and positive Battery Power Cables to the EI Inverter BAT- and BAT+.



## 4. Pre-commissioning checklist

✓	Check Item	Acceptance Criteria
	Inverter installation	The Inverter, EI Link, BMS, and Batteries (if applicable) are correctly installed and securely mounted.
	Cable layout	Conduit/Cables and conductors are routed properly.
	Cable connections	The AC output conductors, DC input conductors, and communications cables are labeled and connected correctly and securely.
	Cable ties	Cable ties are secured evenly with no sharp protrusions.
	Grounding	Ground conductors are connected correctly fastened.
	Disconnect switches	The inverter's DC disconnect switch and all external disconnect switches connecting to the EI Inverter are in the OFF position.
	Wirebox cleanliness	The wirebox is left clean and tidy.
	Installation environment	Ensure surrounding area meets spacing requirements.

## 5. Commissioning

**CAUTION - For personal safety always wear appropriate PPE.**

The steps to turn on the inverter are as follows:

1. Before powering on, ensure the grid voltage is within the specification of the inverter, otherwise damage may occur.
2. Verify COM cable between EI Link and inverter is connected.
3. Turn on the DC breaker the left of the BMS.
4. Press and hold the Power button next to the DC breaker from BMS to start the battery.
5. Turn on the PV switch at the EI Link.
6. Turn on the RCD and Grid(Inv) breaker in the EI Link.
7. Turn on the service disconnect between the grid and the Tigo EI Inverter.
8. Ensure the E-stop button (if used) is not in the de-pressed position.
9. Open the Tigo EI app to complete commissioning by making all required inverter and battery settings.
10. Once the Tigo EI commissioning is completed, press and hold the "Enter" button for 5s the right of the inverter LCD screen. Then inverter will be in normal operation mode.

## 6. Your Customer Service Contact

**Tigo Energy Italy**  
Srl Via Calamandrei 36 52025  
Montevarchi Tuscany, Italy

Americas: +1 408 402 0802  
International: 00800 2255 8446

<https://support.tigoenergy.com/>



**Place TS4-A-O barcode stickers in the grid below per the system azimuth and layout for scanning into the EI App.**

Examples:

