



Download the latest revision of this document.



IMPORTANT SAFETY INFORMATION SAVE THESE INSTRUCTIONS

- All components must be installed and maintained by qualified personnel in accordance with applicable electrical codes.
- Always wear appropriate PPE and use insulated tools.
- Improper installation may cause damage not covered by the warranty.

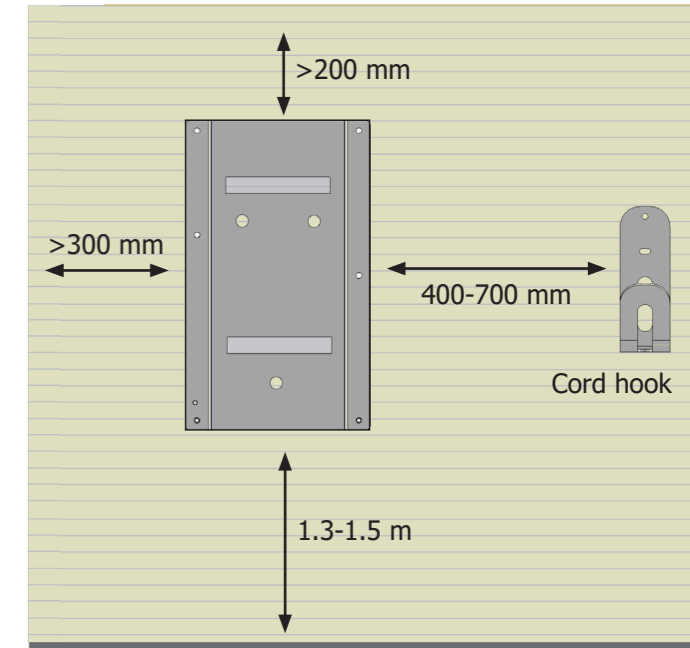
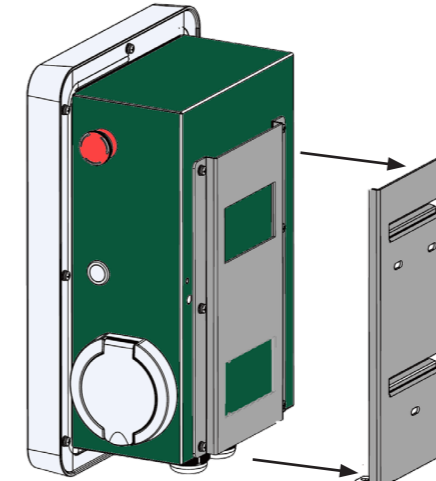
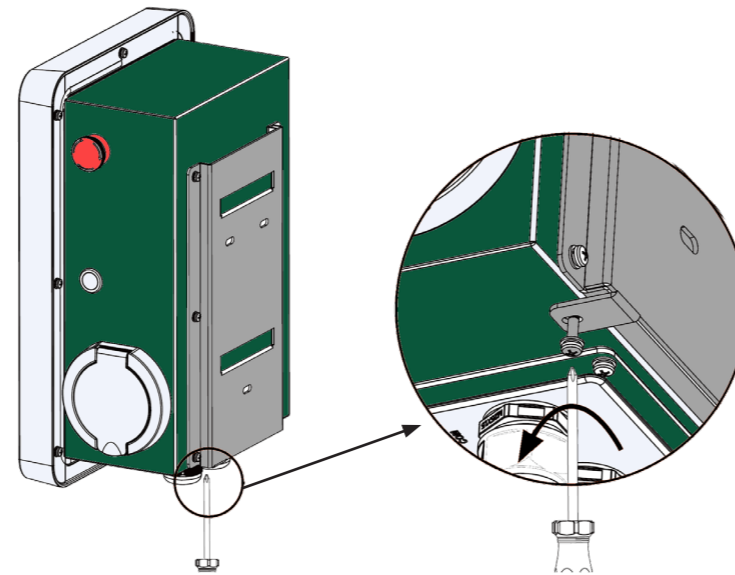
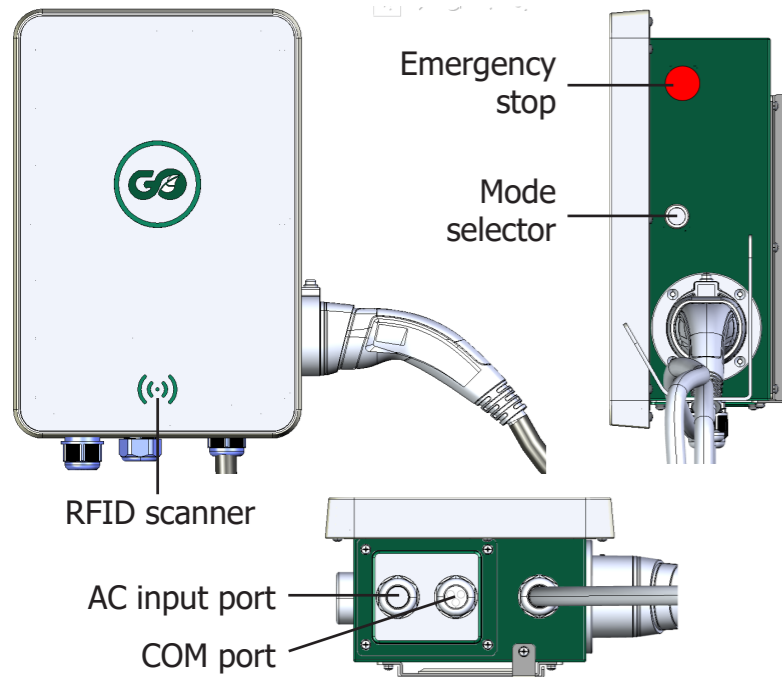


The charger must be installed alongside an operating, updated Tigo EI Inverter. You will:

1. Mount the wall bracket and cord hook.
2. Connect AC conductors and a COM cable to the charger.
3. Commission the charger in the EI app. During commissioning, you will reconfigure system COM cables.

Mount the Wall Bracket and Cord Hook

- Operating temperature range: -30° – 50 °C
- Relative humidity: 5 – 95%
- Protect from direct sun and precipitation

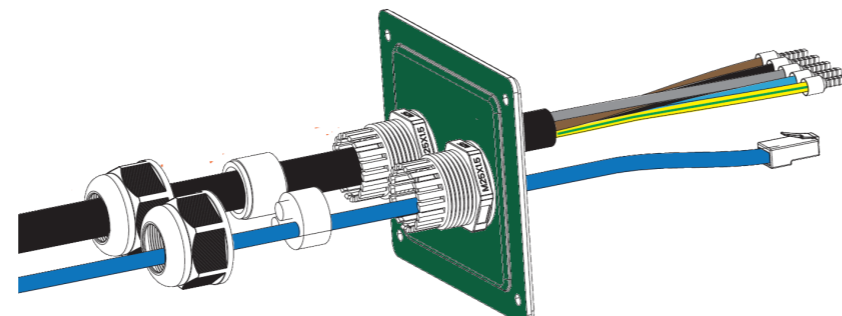
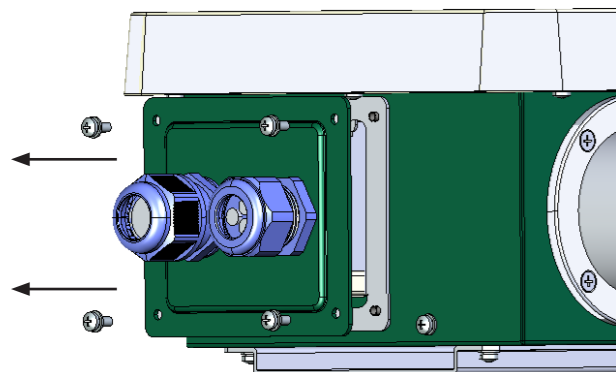


Use the provided screw when re-attaching the charger to the wall bracket.

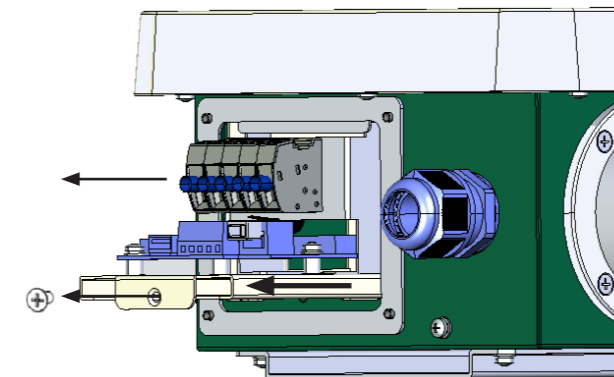
Connect AC Conductors and the COM Cable to the Charger

Torque wire connectors to 1.5 Nm.

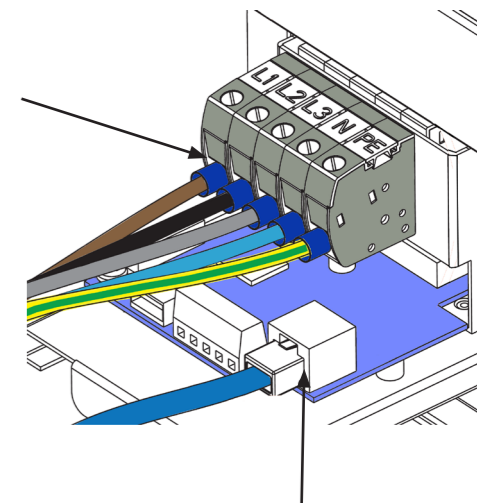
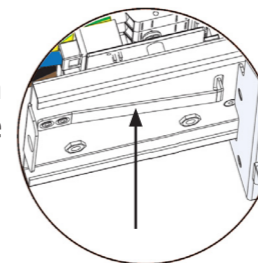
1. At the AC essential loads panel, install a Type A RCD breaker with a trip current ≤ 30 mA.
2. Connect phase, neutral, and ground conductors to the charger:
 - Single phase: three-core wire (L1, N, PE)
 - Three phase: five-core wire (L1, L2, L3, N, PE)
 - Wire: solid copper, 10 mm² gauge, 12.5 – 18 mm O.D.
3. Connect a straight-through CAT5/6 cable with RJ-45 connectors to the charger.



Always crimp provided ferrules onto AC conductors.



Press the clip on the bottom to slide the wirebox back:





Download the latest revision of this document.



IMPORTANT SAFETY INFORMATION SAVE THESE INSTRUCTIONS

- All components must be installed and maintained by qualified personnel in accordance with applicable electrical codes.
- Always wear appropriate PPE and use insulated tools.
- Improper installation may cause damage not covered by the warranty.

Commission and Connect the Charger

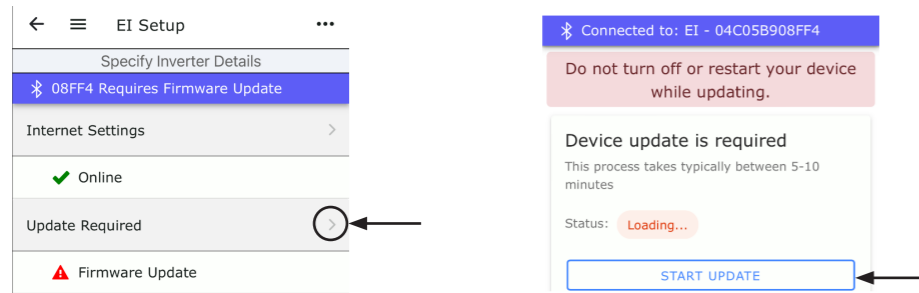


The charger must be installed alongside an operating, updated Tigo EI Inverter. The process of commissioning and connecting the charger must be run in several steps using the EI mobile app.

1. Update System Firmware

Within Bluetooth range of the inverter, open the EI app on your mobile device.

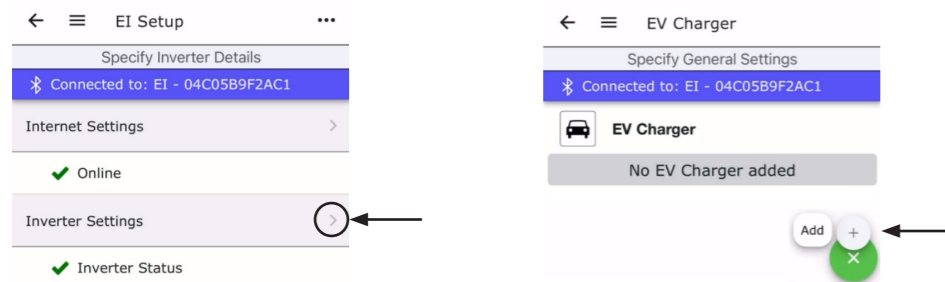
1. Tap the Settings gear icon and tap *Edit System* > *Select Equipment* > *Inverters* > *VIEW DETAILS* > *CONNECT*.
2. If *Firmware Update* appears, tap *Update Required* > *START UPDATE*.



2. Add the GO EV Charger

After all firmware is updated:

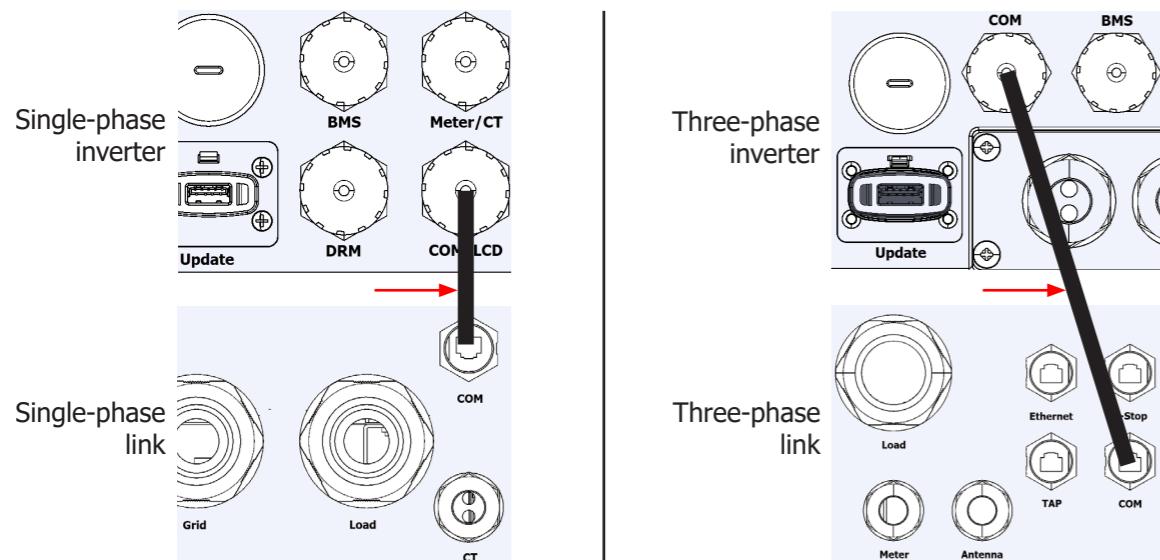
1. Tap *Inverter Settings* > *Advanced Settings* > *EV Charger* > *Add*.



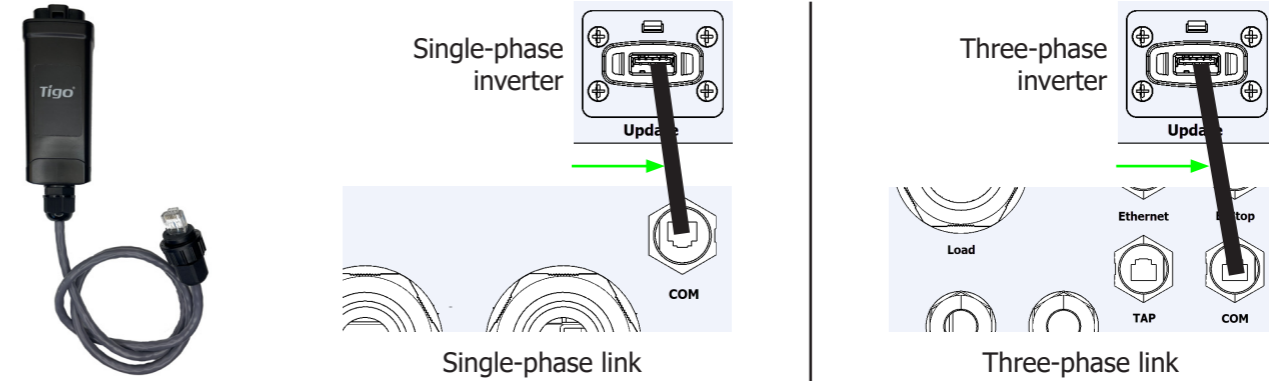
2. Scan the barcode on the left side of the charger and tap *SAVE BARCODE*.



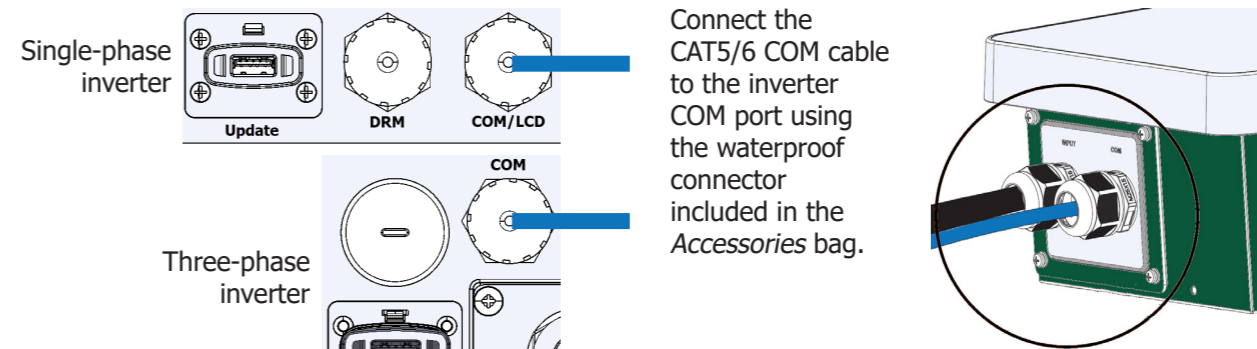
3. Remove the Existing Inverter-to-Link COM Cable (RJ-45 to RJ-45)



4. Connect the New Inverter-to-Link COM Cable (USB-A to RJ-45)



5. Connect the Charger COM Cable to the Inverter (RJ-45 to RJ-45)



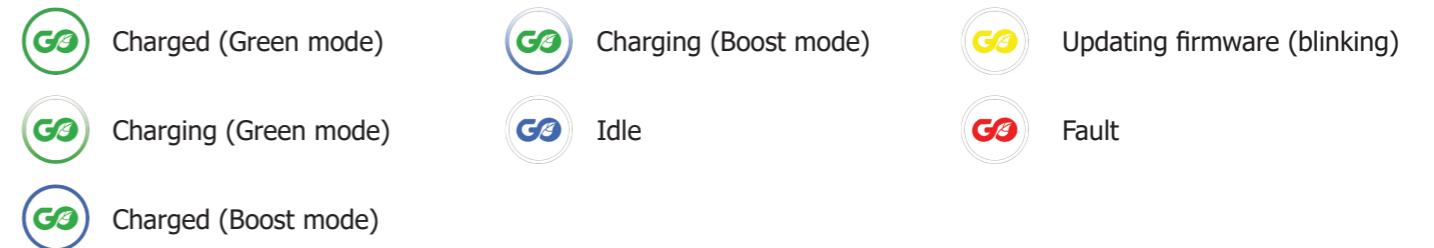
Connect the CAT5/6 COM cable to the inverter COM port using the waterproof connector included in the Accessories bag.

6. Complete Commissioning

After configuring cables:

1. Turn on the charger by closing its breaker at the essential loads panel. The GO logo will display blue.
2. Tap *NEXT* in the EI app to complete commissioning.
3. If adding to a 3-phase system, set the *Maximum Charging Power* setting according to local regulations and tap *SAVE*.

Status LEDs



Resources



Tigo Energy S.r.l.
Via Calamandrei 36
52025 Montecatini Tuscany, Italy
+39 055 1987 0059

www.tigoenergy.com