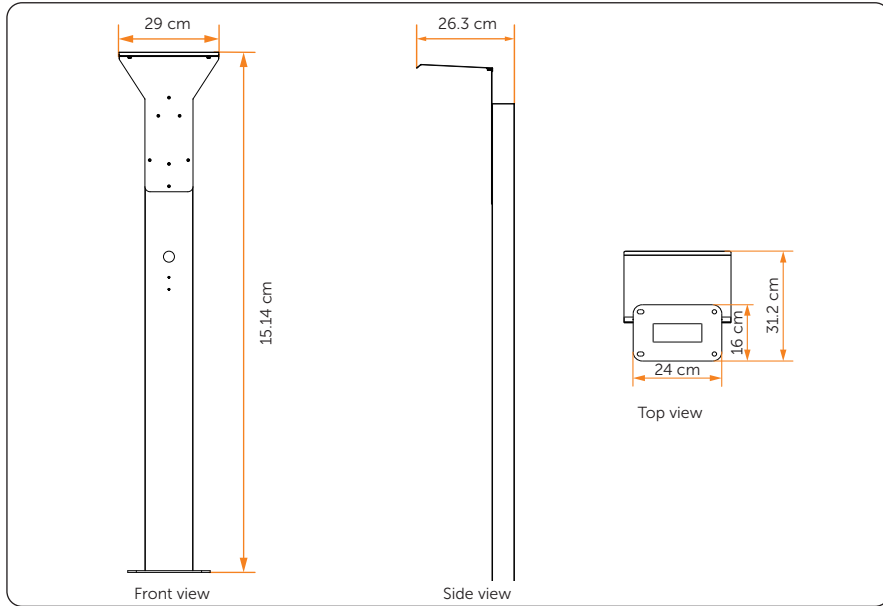


Quick Installation Guide

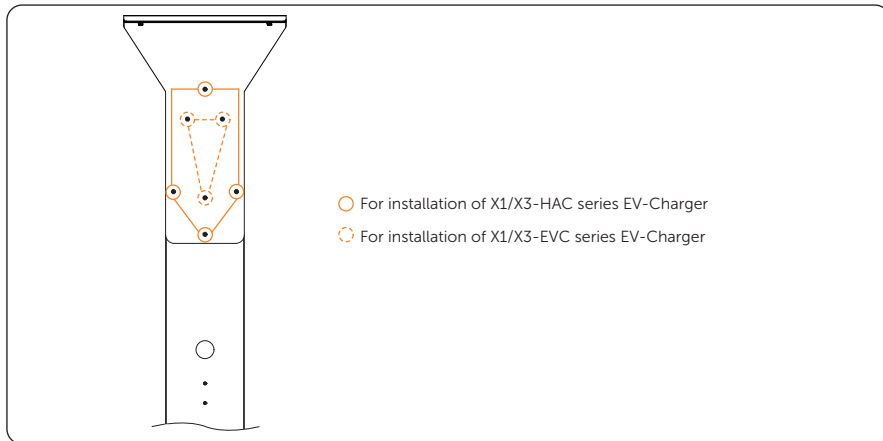
EVC Rain Shelter

1 Introduction

Rain shelters can be installed with EVC Pedestal for easy use in rainy weather.



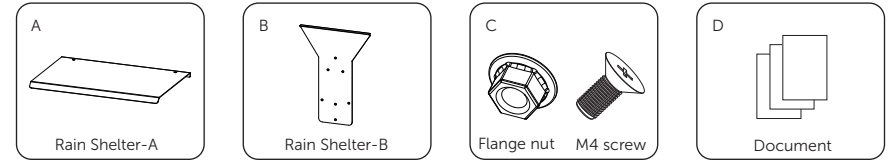
It can be compatible with the X1/X3-HAC and X1/X3-EVC series smart EV-Charger manufactured by SolaX. The holes shown below are for mounting the pedestal. Please refer to step 2 of this document for the installation procedure for the holes for the rain shelter.



2 Preparation

2.1 Packing List Checking

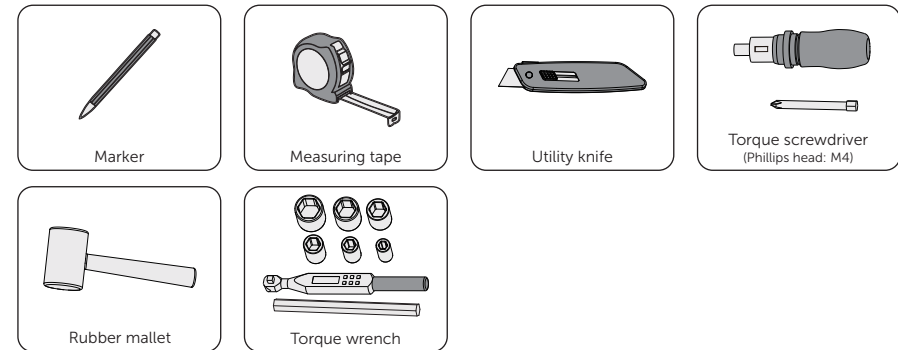
Before installation, make sure nothing inside the package is damaged. The following items should be inside the package.



Item	Description	Quantity	Remark
A	Rain Shelter-A	1	
B	Rain Shelter-B	1	
C	Flange nut	2	For assembling Rain Shelter-A and Rain Shelter-B
	M4 screw	4	For securing the Pedestal and Rain Shelter
D	Document	/	

2.2 Tools Preparation

Installation tools include but are not limited to the following recommended ones. If necessary, use other auxiliary tools on site.

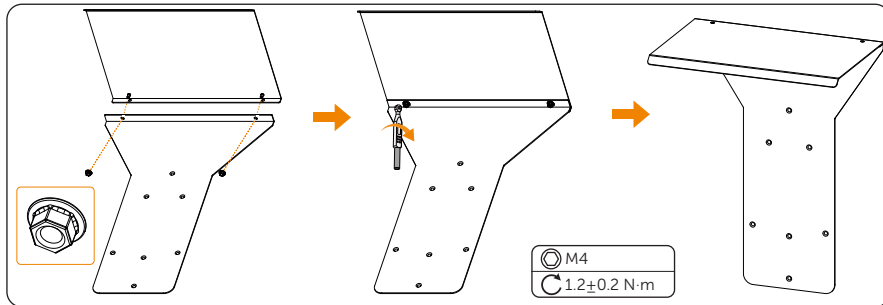


2.3 Others

Prepare and read the document(s) of the Pedestal and EV-Charger in advance.

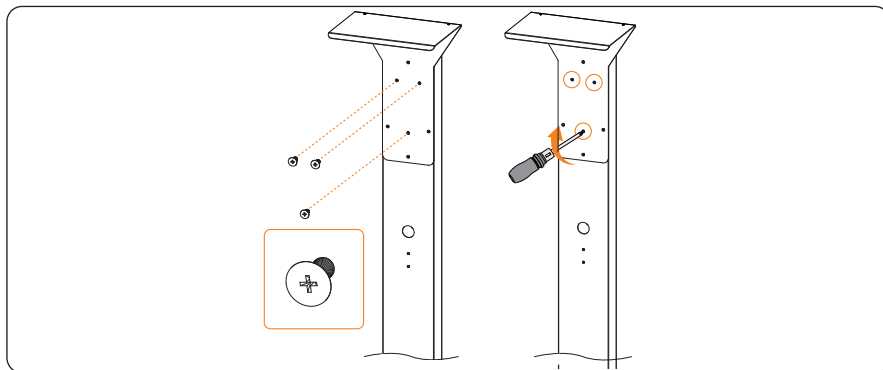
3 Installation Steps

Step 1: Assemble the Rain Shelter with the flange nuts in the accessory bag, and tighten the nuts clockwise with a 7 mm torque wrench.

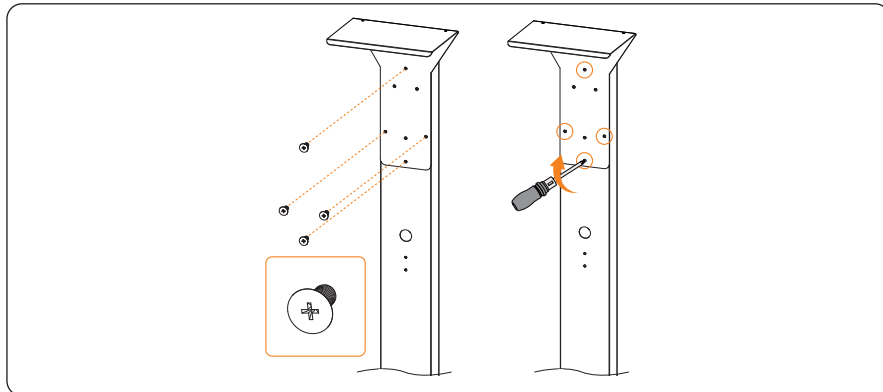


Step 2: Secure the Rain Shelter to the pedestal with the M4 screws in the accessory bag. For installation of the pedestal and EV-Charger, refer to the corresponding manual or installation guide.

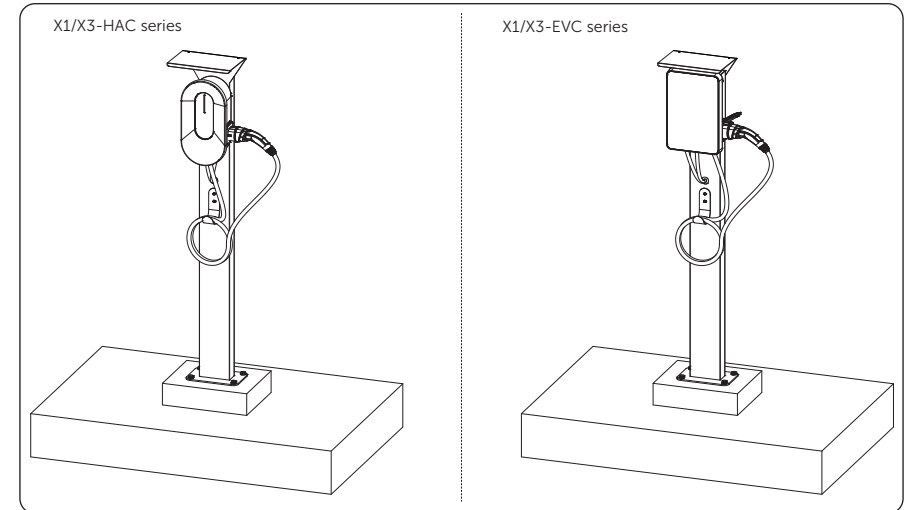
- For X1/X3-HAC series



- For X1/X3-EVC series



Step 3: After the installation is complete, as shown in the figure.



As shown in the figure below, both sides of the EVC Pedestal can be fitted with Rain Shelters and EV-Charger. The X1/X3-HAC and X1/X3-EVC series are compatible.

