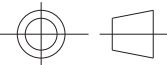
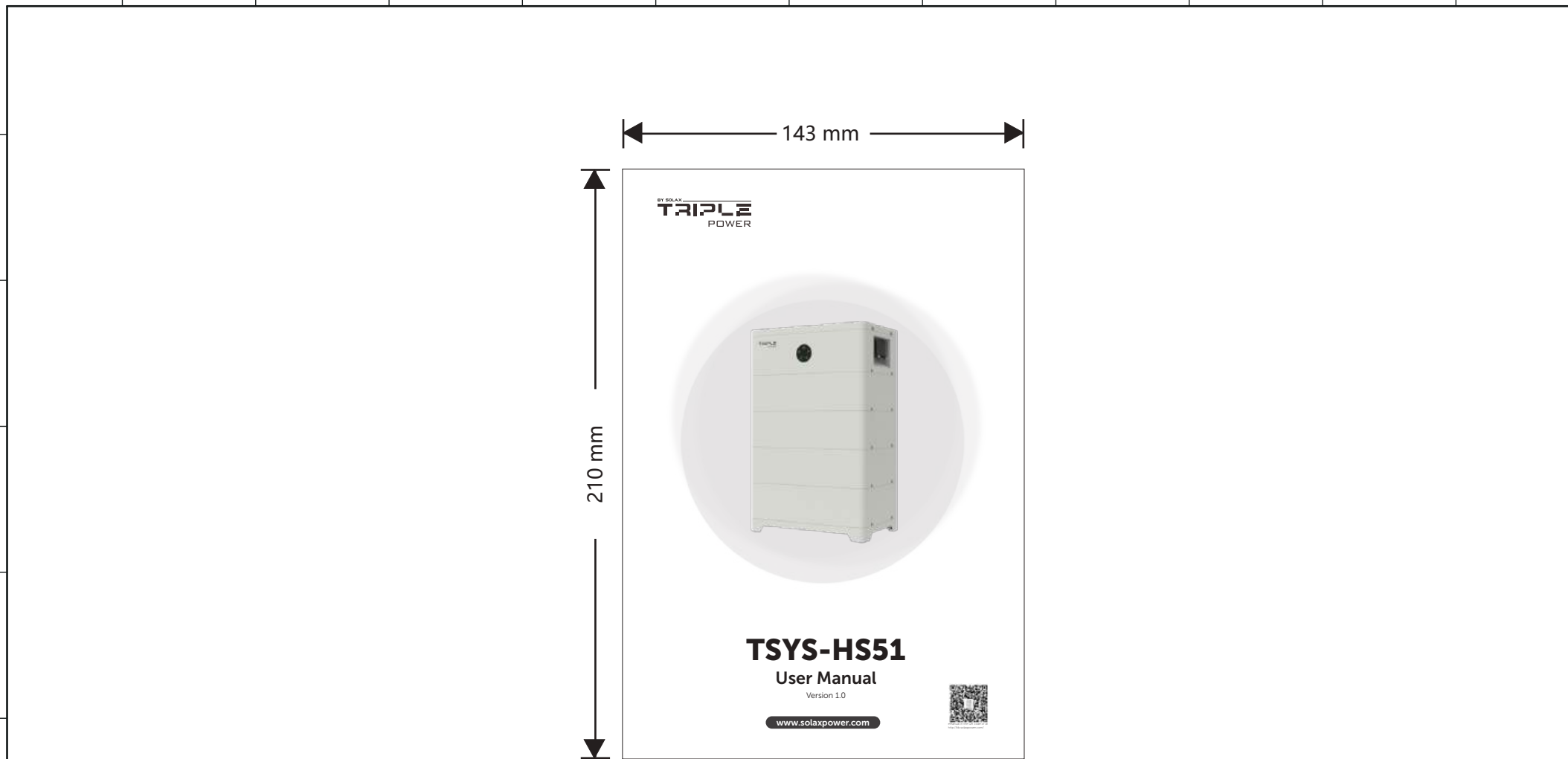


REV.	Description	REV.	Description
0.0	V0.0 首次发行 陈珍珍 2024/7/11		
1.0	调整成模板格式 修改澳洲地址 陈珍珍 2024/10/23		

品名	说明书 TSYS-HS51 英文版 SolaX 01 版			浙江艾罗网络能源技术股份有限公司 SolaX Power Network Technology (Zhejiang) Co., Ltd.
料号	320101115701			
单位	mm	页次		



- 技术要求:**
- 封面封底 157g 铜版纸覆哑膜彩打, 内部纸 80g 双胶纸黑白印刷, 正反打印;
  - 装订方式: 胶装或骑马钉, 内页大于 60 页时须胶装;
  - 未注尺寸公差按  $\pm 3$  mm;
  - 图面、字体印刷清晰、无偏移、无毛边、不起边、油墨不脱落;
  - 黑色字体颜色为 PANTONE BLACK C, 无边框, 底色为白色;
  - 符合 RoHS 要求。

品名	说明书 TSYS-HS51 英文版 SolaX 01 版		设计	陈珍珍 2024/10/23
			审核	刘国庆 2024/10/23
材料	NA		核准	施鑫淼 2024/10/23
料号	320101115701		浙江艾罗网络能源技术股份有限公司	
单位	mm	页次		



BY SOLAX  
**TRIPLE**  
POWER



# TSYS-HS51

## User Manual

Version 1.0

[www.solaxpower.com](http://www.solaxpower.com)



Scan the QR code or at  
<http://kb.solaxpower.com/>



# STATEMENT

---

## Copyright

Copyright © SolaX Power Network Technology (Zhejiang) Co., Ltd. All rights reserved.

No part of this manual may be reproduced, transmitted, transcribed, stored in a retrieval system, or translated into any language or computer language, in any form or by any means without the prior written permission of SolaX Power Network Technology (Zhejiang) Co., Ltd.

## Trademarks



POWER and other symbol or design (brand name, logo) that distinguishes the products or services offered by SolaX has been trademark protected. Any unauthorized use of above stated trademark may infringe the trademark right.

## Notice

All or part(s) of the products, features and services described in this document may not be within your scope of purchase or usage. Unless otherwise specified in the contract, the contents, information and recommendations in this document are provided as is, SolaX makes no kind of warranties, guarantees or representations expressly or implicitly.

The content of the documents is continually reviewed and amended, where necessary. However, discrepancies cannot be excluded. SolaX reserves the right to make improvements or changes in the product(s) and the program(s) described in this manual at any time without the prior notice.

The images contained in this document are for illustrative purposes only and may vary depending on product models.

Please visit the website [www.solaxpower.com](http://www.solaxpower.com) of SolaX Power Technology (Zhejiang) Co., Ltd. for more information.

SolaX reserves all the right for the final explanation.

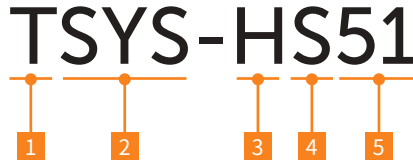
# About This Manual

---

## Scope of Validity

This manual is an integral part of TSYS-HS51. It describes the transportation, storage, installation, electrical connection, commissioning, maintenance and troubleshooting of the product. Please read it carefully before operating.

### Model Code



No.	Definition	Description
1	T	Product type: Triple Power
2	SYS	Battery system
3	H	Grid grade: High-voltage system
4	S	Stackable product
5	51	Battery capacity: 5.1 kWh




## Target Group

The installation and maintenance setting can only be performed by qualified personnel who:

- Are licensed and/or satisfy state and local jurisdiction regulations;
- A medium-voltage operator is required to obtain any Certifications for High-voltage Electrician.

## Conventions

The symbols that may be found in this manual are defined as follows.

Symbol	Description
 <b>DANGER</b>	Indicates a hazardous situation which, if not avoided, will result in death or serious injury.
 <b>WARNING</b>	Indicates a hazardous situation which, if not avoided, could result in death or serious injury.
 <b>CAUTION</b>	Indicates a hazardous situation which, if not avoided, could result in minor or moderate injury.
<b>NOTICE!</b>	Provides tips for the optimal operation of the product.

## Change History

**Version 1.0 (2024-10-23)**

Changed the Australia email address.

**Version 0.0 (2024-6-24)**

Initial release

# Table of Content

---

- 1 Safety..... 1
  - 1.1 General Safety..... 1
  - 1.2 Personal Safety..... 2
  - 1.3 Environment Requirement ..... 3
  - 1.4 Electrical Safety..... 4
  - 1.5 Device Safety ..... 6
  - 1.6 Battery Safety..... 7
    - 1.6.1 Battery Handling Guide..... 7
    - 1.6.2 Response to Emergency Situations..... 10
- 2 Product Overview ..... 12
  - 2.1 Introduction ..... 12
  - 2.2 Product Appearance ..... 13
    - 2.2.1 System Introduction..... 13
    - 2.2.2 Parts Introduction..... 15
  - 2.3 Indicator Panel..... 19
    - 2.3.1 BMS Indicators..... 19
    - 2.3.2 Battery Pack Indicator ..... 22
  - 2.4 Black Start..... 23
  - 2.5 DIP Switch ..... 23
  - 2.6 Label..... 25
  - 2.7 Explanation of Symbols and Icons..... 26
- 3 Transportation and Storage ..... 28
  - 3.1 Transportation Requirements..... 28
  - 3.2 Storage Requirements ..... 29
- 4 Preparation before Installation ..... 31
  - 4.1 Selection of Installation Location..... 31
    - 4.1.1 Environment Requirement..... 31
    - 4.1.2 Installation Carrier Requirement ..... 32
    - 4.1.3 Clearance Requirement..... 32
  - 4.2 Installation Option ..... 34
  - 4.3 Tools Requirement..... 35
  - 4.4 Additionally Required Materials..... 36
- 5 Unpacking and Inspection..... 37
  - 5.1 Unpacking ..... 37

5.2	Scope of Delivery .....	38
<b>6</b>	<b>Installation and Wiring about One Tower.....</b>	<b>41</b>
6.1	Installation Procedure about One Tower.....	41
6.2	Electrical Wiring .....	52
6.2.1	PE Connection .....	53
6.2.2	Communication Connection.....	55
6.2.3	Cable Connection between BMS and Inverter .....	57
<b>7</b>	<b>Installation and Wiring about Two Towers.....</b>	<b>64</b>
7.1	Installation Procedure about Two Towers .....	64
7.2	Electrical Wiring .....	76
7.2.1	PE Connection .....	77
7.2.2	Communication Connection.....	80
7.2.3	Cable Connection among BMS, Series Box and Inverter.....	82
<b>8</b>	<b>System Commissioning.....</b>	<b>91</b>
8.1	Checking before Power-on.....	91
8.2	One-cluster System Power-on.....	91
8.3	One-cluster System Power-off.....	92
<b>9</b>	<b>Capacity Expansion and Parallel Connection.....</b>	<b>95</b>
9.1	Capacity Expansion .....	95
9.2	Parallel Connection .....	101
<b>10</b>	<b>Troubleshooting and Maintenance .....</b>	<b>102</b>
10.1	Maintenance .....	102
10.2	Troubleshooting .....	103
<b>11</b>	<b>Decommissioning.....</b>	<b>106</b>
11.1	Disassembly of Cables.....	106
11.2	Packing .....	108
<b>12</b>	<b>Technical Data .....</b>	<b>109</b>

# 1 Safety

---

## 1.1 General Safety

Before transporting, storing, installing, operating, using and/or maintaining the device, please carefully read the document, and strictly follow the instructions and safety precautions given herein, as well as symbols affixed on the device.

The operator should not only abide by all safety precautions provided in the document, including but not limited to the "Danger" sign, "Warning" sign, "Caution" sign, and "Notice" sign, but also comply with relevant international, national and local laws and regulations, and industry rules. SolaX will not assume any responsibilities for the loss caused by improper operation, or violation of safety standards for design, production and device suitability.

SolaX will not be liable for maintenance for possible device failure, device malfunction, or parts damage, nor will the company assume any liability to pay compensation for the possible physical and property damage resulting from the installation environment that does not meet the design requirements.

The operator should comply with the local laws, regulations, standards and guidelines in the process of transportation, storage, installation, operation, and maintenance.

The device is well designed and tested to meet all applicable states and international safety standards. However, like all electrical and electronic device, safety precautions must be observed and followed during the installation of the device to reduce the risk of personal injury and to ensure a safe installation.

Before installing the device, carefully read, fully understand and strictly follow the detailed instruction of the *User Manual* and other related regulations. And the safety instructions in this document are only supplements to local laws and regulations.

SolaX will not assume any responsibilities if any of the following circumstances occurs, including but not limited to:

- Device damage due to force majeure, such as earthquake, flooding, thunderstorm, lightning, fire hazard, volcanic eruption, war, typhoon, tornado, etc.
- Device damage due to human causes.
- Device used or operated against local policy or regulations.
- Failure to follow the operation instructions and safety precautions on the product and in this document.
- Installation and use under improper environment or electrical condition.
- Unauthorized modifications to the product or software.
- Device damage caused during transportation by the customer or the third party.
- Storage conditions that do not meet the requirements specified in this document.
- Use of incompatible inverters or devices.

- Installation and commissioning operated by unauthorized personnel who are not licensed and /or satisfy state and local jurisdiction regulations.

## 1.2 Personal Safety

### DANGER!

- Do not power on while installing the device. If the device is powered on in the process of installation and disassembly of cables, an electric arc, electric spark or fire will occur at the moment that the cable core contacts conductors. It may cause a fire or result in physical and property damage.
- Do not improperly operate while powering on. Any improper operation may cause a fire, electric shock, or explosion, and it will result in physical and property damage.
- Must remove rings, bracelets, watches, and any other metal jewelry from fingers, hands, or wrists before operation, to avoid electrical shock or burn.
- Must use special insulation tools, of which the insulation grade and dielectric strength level must be consistent with local laws, regulations, standards, and guidelines, in the operation process, to avoid electrical shock, burn, or short circuit fault.

### WARNING!

- Must wear special personal protective device (PPE), such as a coverall, safety boots, safety glasses, safety helmet, safety gloves, etc.

### CAUTION!

- Do not stop the safety switch on the device, and neglect the "Danger" sign, "Warning" sign, "Caution" sign, and "Notice" sign on the device, as well as safety precautions in the document.
- Must stop working at once, report to the relevant person in charge, and activate protection schemes in case of possible danger that may cause human injury and damage to device in the installation and operation process.
- Do not power on the device before installation completes, or before obtaining approval from professionals.
- Do not directly contact power supply device, or contact it with other conductors or wet objects.
- Do not touch the running fan with parts, screws, or installation tools, and keep hands clear when the fan is running, to avoid personal injury or property damage.
- When a fire breaks out, evacuate the staff and ring the fire bell immediately, or call the fire department at once.

## 1.3 Environment Requirement

### DANGER!

- Keep away from combustibles and explosive materials.
- Keep away from heat or fire sources, such as fireworks, candles, heaters, or any other heat-producing appliances. It may cause damage to device or a fire.
- Keep away from flammable and explosive gases, or smoky environments.

### WARNING!

- The device installation site should be kept away from areas exposed to liquids, such as beneath water pipes, air outlets where condensation forms, or under air-conditioning vents, ventilation openings, and device room outlets where water may accumulate. Water intrusion can damage internal components and cause short circuits.
- Do not cover vents and cooling systems while running. Otherwise, it may cause a fire or device damage due to the high temperature.

### CAUTION!

- The storage area should be clean, dry, and well ventilated to prevent dust from entering, and condensed water from generating.
- Strictly observe technical specifications while installing and running the device. Otherwise, it may affect the performance and safety of the device.
- Do not install, run or operate outdoor device or cables (including but not limited to carrying device, operating device, connecting cables, plugging or unplugging cables that are connected to outdoor signal ports, working at heights, outdoor installation, etc.) in bad weather, such as thunderstorms, rain, snow, etc.
- It has the IP66 ingress protection, which allows it to be installed outdoor. If the battery packs are installed outdoors, the precautions against direct sunlight, rain exposure and snow accumulation are recommended. Exposure to direct sunlight raises the temperature inside the battery. This temperature rise poses no safety risks, but may impact the battery performance.
- Keep away from the following environments while installing the device: environments with dust, smoke, volatile gases, corrosive gases, infrared radiation, organic solvents, or a site with high salt.
- Keep away from environments with metal-conductive or magnetic-conductive dust.
- Keep away from areas where fungus, mould, or other microorganism are likely to grow.
- Keep away from areas with strong shaking, serious noise pollution, or powerful electromagnetic interference
- The installation site must conform to local laws and regulations, and relevant standards.

 CAUTION!

- The ground at the installation site must be firm and strong instead of having an adverse geological condition, such as soil with high water content, weak soils, or loose soils. And keep away from low-lying areas since they are prone to water or snow accumulation.
- Keep away from areas prone to water accumulation.
- If the device is installed on a grassy plantation, do weed regularly, and harden the ground under the device, such as cementing, gravelling, etc.
- Please check the ground is firm and strong enough to meet the load-bearing requirements of the device while it is being installed.
- Must clean the packing materials, such as cartons, foams, plastic bags, ties, etc., on the site after finishing installation.

NOTICE!

- Since the operating temperature affects the operation and service life of a battery, please install it in an appropriate ambient environment.
- The operating ambient temperature for the battery is between  $-30^{\circ}\text{C}$  and  $+53^{\circ}\text{C}$ . Additionally, a battery thermal management system (hereinafter referred to as BTMS) is equipped in the battery. To achieve the optimal performance, BTMS will be activated to heat the battery at a low operating environment. In the meantime, the energy efficiency of the system will be reduced for a short time due to rechargeable power consumption while heating.
- The discharge current will be reduced when the temperature of the battery cell is between  $-20^{\circ}\text{C}$  and  $+5^{\circ}\text{C}$  or between  $+45^{\circ}\text{C}$  and  $+53^{\circ}\text{C}$ . And the charge current will be reduced when the temperature of the battery cell is between  $0^{\circ}\text{C}$  and  $+20^{\circ}\text{C}$  or between  $+45^{\circ}\text{C}$  and  $+53^{\circ}\text{C}$ .

## 1.4 Electrical Safety

 DANGER!

- Before wiring, check that the device is intact to prevent electric shock or a fire.
- Improper operation may cause a fire, electric shock, etc.
- Prevent any objects from entering into the device when operating. Otherwise, the device may be short-circuited or damaged, the load's power supply may be derated or powered off, or personal injuries may occur.

 WARNING!

- Devices that require grounding must be grounded firstly when conducting wiring. The PNGD cable must be disconnected finally after removing any other cables.

**NOTICE!****General requirement**

- Please strictly follow the steps described in the document for installing, operating and maintaining the device. Do not modify or change the device, and adjust the installation procedure.
- Permission shall be obtained from the state or local electrical department before conducting the grid connection.
- Abide by the safety regulations stipulated by the power station.
- Power off the device and shut down switches before connecting or disconnecting power cables.
- If there are any liquids entering into the device, power off at once and do not use again.
- Check and confirm whether the tools meet the requirements described in the document before operating the device, and be registered. Check whether the number of tools is correct after installing and operating it.
- Check that the icons on the cable labels are correct before connecting power cables. Ensure that the terminals are completely covered with insulation.
- Ensure that protective shell or insulation sleeving on the electrical components are correctly installed to protect operators from electric shock.
- In the case of multiple inputs, disconnect them first; do not operate the device until it is completely powered off.
- Turn off the corresponding output switch of the power supply device while maintaining electrical terminal device and power distribution device connected to the power supply device.
- Must put up "Do Not Switch On" signs and warning signs before completing maintenance, to prevent power connection. Do not switch on before the fault is repaired.
- Must follow the steps below if the device needs a power cut in the process of fault diagnosis and troubleshooting: power cut > electricity testing > connecting grounding cable > putting up warning signs and installing guardrails.
- Periodically check whether the screws are tightened fully.
- Only professionals can change the damaged cables.
- Do not alter, damage or obscure the logos and labels attached to the devices.
- Do not clean the internal and external parts of the device with solvents, like water, alcohol or oil.

**Grounding requirement**

- Check that the device is reliably grounded before operating it.
- Do not operate the device without a grounding wire.

**Wiring requirement**

- Must abide by the local laws, regulations and standards to route cables.
- Make sure that cables are secured and well-insulated, and meet specifications.

## 1.5 Device Safety

### DANGER!

- A safety helmet, belt, or other personal protective device must be worn when performing.

### CAUTION!

- To prepare a set of tools that pass the verification of professional authorities. Do not use any tools that are broken, failed to verify, or are expired.
- To prevent personal injury or device damage from slopping or collapsing, please make sure that the device has been secured.
- Do not drill holes into the device. Otherwise, the sealing performance, electromagnetic shielding performance, or internal components or cables of the device will be destroyed, and it can even cause a short circuit on a circuit board if the metal dust generated by drilling enters into the device.

### Notice!

#### General requirement

- Do not arc weld or cut the device.
- When working above the device, the effective measures should be taken to protect from damage.

#### Safety precautions for lifting and handling heavy devices

- To prevent injury from oversize loads, assess the device you're about to lift before you start lifting.
- If more than 2 people lift a device, reasonably arrange to have a balanced weight distribution.
- Wear personal protective device, such as, safety gloves, safety boots, etc., to prevent injuries when lifting devices with bare hands.
- Know the right body posture to prevent personal injuries when lifting devices, for instance, bend at your knees, not at your waist or back, and do not twist your back.
- Hold the handles on the device or put your hands underneath the device to move or lift, and do not hold the handles on the parts installed in it.
- To prevent injuries, do not quickly lift the heavy device above the waist.
- To prevent scratches and dents, or damage to components and cables, avoid impact and falling when moving.
- Be aware of workbenches, slopes, steps, and other places where it is easy to slip when moving devices. Ensure that the passageways are smooth, clean, and away from obstacles.
- To prevent tipover, the forklift's forks must be placed under the load. Center the weight of the load between the forks, and adjust the forks to distribute the weight evenly. Firmly attach the loads to the forks before lifting, and arrange for people to watch for when lifting.

**NOTICE!****Ladder safety**

- A wood or insulated ladder should be used when working with electricity.
- A platform ladder with handrails is preferred instead of a straight ladder.
- Check that the ladder is in good condition, make sure that the load bearing meets requirements, and strictly prohibit overload.
- Place the ladder on a solid and firm surface, and designate a person to hold it.
- Balance your body to prevent injuries when climbing.
- Make sure that the rope is fastened and secured when using the herringbone ladder to prevent incidents.

**Drilling safety**

- Wear personal protective device when drilling, such as safety glasses, safety gloves, etc.
- Avoid drilling around pipes, and light switches and sockets, as the electrical wires can go horizontally and vertically around these fixtures.
- Cover the device to protect it from dusts and debris entering when drilling, and clean it at once after finishing drilling.

## 1.6 Battery Safety

To prevent personal injury or property damage from improper operation, please carefully read the following installation precautions before installation.

### 1.6.1 Battery Handling Guide

** DANGER!**

- Do not connect the positive and negative poles of a battery together. Or, the battery may be short-circuited. A short circuit may cause enormous amounts of current and release large quantities of energy for a short time, which may cause battery leakage, smoke, the emission of flammable gases, thermal runaway, fire, or even an explosion. Therefore, power off the battery before maintenance.
- Keep away from the fire sources, heater, etc.
- Never damage the device by crushing, deforming, dropping, impacting, cutting or penetrating with a sharp object. Otherwise, it may cause a fire or leakage of electrolytes.
- Never dismantle, change or damage battery, including penetrating with a sharp object, deforming, soaking in water or other liquids, to keep it away from leakage, smoke, release of flammable gases, thermal runaway, fire or explosion.
- Do not touch battery terminals with any other metal objects, which may cause heat or leak.

 **DANGER!**

- Do not mix different types or makes of the battery module. It may cause leakage or rupture, resulting in personal injury or property damage.
- The battery electrolyte is toxic and volatile. Never get contact with the leaked liquids or inhale gases in the case of the battery leakage or odor. In such a case, keep away from the battery and contact professionals immediately. Those professionals must wear PPE, such as safety glasses, safety gloves, gas masks, protective clothing, etc., power off the device, remove the battery, and contact technical engineers.
- Normally, the battery will not release any gases since it is an enclosed system. However, in the following situations: burnt, needle-pricked, squeezed, struck by lightning, overcharged, or subject to other adverse conditions that may cause battery thermal runaway, the battery may be damaged or an abnormal chemical reaction may occur inside the battery, resulting in electrolyte leakage or production of gases. To prevent fire or device corrosion, ensure that flammable gas is properly exhausted.
- Take steps to protect human beings from the gases released when burning the batteries.

 **CAUTION!**

- Install batteries in a dry area. Do not install them under areas prone to water leakage, such as air conditioner vents, ventilation vents, feeder windows of the device room, or water pipes. Ensure that no liquid enters the device to prevent faults or short circuits.
- According to construction standards and requirements, when installing and commissioning the device, prepare related fire-fighting device in advance, such as dry sand, carbon dioxide fire extinguisher, etc. Make sure that the above-mentioned fire-fighting device conforms to local laws, regulations and standards.
- Before unpacking, and in the process of storage and transportation, ensure that the packages are intact and the batteries are correctly placed according to the labels on the packages. Do not place a battery upside down or vertically, lay it on one side, or tilt it. Stack the batteries according to the stacking requirements on the packing cabinets. Make sure that the batteries do not fall or get damaged. Otherwise, they will need to be scrapped.
- After unpacking, the batteries must be correctly placed in accordance with the requirements. Do not place a battery upside down or vertically, lay it on one side, or tilt or stack it. Make sure that the batteries do not impact, fall or get damaged. Otherwise, they will need to be scrapped.
- Tighten the screws according to the torque specified in this document. Periodically confirm whether the screws are tightened, check for rust, corrosion, or other foreign objects, and clean them up if any. Loose screw connections will result in excessive voltage drops and batteries may catch fire when the current is high.
- Charge the battery in time to avoid damage due to overdischarge.

## Notice!

**General requirement**

- Please read the document carefully before installation, operation and maintenance.
- Charge the battery within the specific temperature range because the low temperature may result in short circuit. Hence, do not charge the battery if the temperature is below the low limit of the operating temperature.
- Ensure that the packing cabinets are intact before unpacking. If package is damaged, please contact forwarder and manufacturer immediately.
- Dropping, collisions, swelling, bulging, or casing dents of the battery may result in leakage or the emission of flammable gases. Do not use damaged batteries in any circumstances. Please immediately contact the installer or professional operation and maintenance staff to remove or change the battery in the case of electrolyte leakage or structural distortion. Keep the damaged battery away from other devices or inflammable and explosive materials, and ensure that non-professional personnel do not contact the damaged batteries.
- Before operation, make sure there are no irritating or burning smells around the battery.
- Do not place any objects, like tools, metal parts, etc., on top of the battery. Check and clean them up if any.
- Do not install batteries in rain, snow, fog, or other extreme weather, to prevent moisture or corrosion.
- If the battery is accidentally splashed with or soaked in water, transport it to an isolated area and dispose of it properly in time.
- Check if the housing of the battery is deformed or damaged before installing. If yes, do not install it.
- Check whether the positive and negative terminals of the battery are accidentally grounded. If yes, disconnect them.
- Do not weld or grind near the battery. Because an electric spark or arc may cause a fire.
- Store or recharge the battery according to the document if it will not be used for a long time.
- The devices used to charge or discharge the batteries must meet the requirements of local laws, regulations, and standards.
- Power off the battery when installing and maintaining the battery.
- Inspect the damaged battery to ensure that there is no smoke, fire, leakage of electrolytes, or heat in the period of storage.
- Do not touch the battery when it fails. Personal injuries may be caused due to the high temperature of the surface.
- Do not step, lean, or stand on the battery.
- The batteries are not allowed to be used to provide a backup power source in the following circumstances:
  - » Medical device that is directly related to human health.
  - » Device, like trains, elevators, etc., that may cause injuries to human beings.

Notice!

- » Computer systems that play an important role in societies and institutions.
- » Areas near medical device.
- » Other devices that play a similar role, as described above.

**Recovery of damaged or wasted battery**

- Dispose of the damaged or wasted batteries according to local laws and regulations instead of placing them in the household trash or in curbside recycling bins. Otherwise, it may cause environmental pollution or explosions.
- Contact our company or a battery recycling company to scrap the battery, if it leaks electrolytes, or is damaged.
- Contact a battery recycling company to scrap batteries if they are expired.
- Keep the damaged or wasted batteries away from high temperatures and direct sunlight.
- Ensure that the damaged or wasted batteries are not exposed to the highly humid or corrosive environments.
- Do not reuse a damaged or discarded battery, and immediately contact a battery recycling company to scrap them, to avoid environmental pollution.

**1.6.2 Response to Emergency Situations**

 CAUTION!

**In case the battery module leaks electrolyte or any other chemical materials, or gas may be generated due to the leakage of battery module, be sure to avoid contact with the discharge at all times. In case of accidentally coming into contact with them, please do as follows:**

- In case of inhalation: Leave the contaminated area immediately, and seek medical attention at once;
- In case of contact with eyes: Rinse eyes with running water for at least 15 minutes, and seek medical attention;
- In case of contact with skin: Wash the contact area thoroughly with soap, and seek medical attention;
- In case of ingestion: Induce vomiting, and seek medical attention.



**If a fire breaks out where the battery module is installed, please do as follows:**

- In case the battery module is charging when the fire breaks out, provided it is safe to do so, disconnect the battery module circuit break to shut off the power charge;
- In case the device is not on fire yet, use a Class ABC fire extinguisher or a carbon dioxide extinguisher to extinguish the fire;
- If the battery module catches fire, do not try to put out the fire, and evacuate immediately.
- The battery module may catch fire when it is heated above 302°F/150°C; and in case of catching fire, it will produce noxious and poisonous gas, DO not approach and keep away.

**Effective ways to deal with accidents:**

- In case of the damaged battery module, place it into a separate place, and call the qualified personnel or local fire department.
- If any part of the battery module, or wiring is submerged, do stay out of the water and do not touch anything; If the battery module gets wet, don't touch it.
- If the battery module is damaged, don't use it. Otherwise, it may result in both personal injury and property damage.
- Don't use the submerged battery module again, and contact the qualified personnel

## 2 Product Overview

---

### 2.1 Introduction

The product TSYS-HS51, a smart outdoor battery system with easy installation and convenient expansion, consists of a BMS, battery packs, base, and series box (if any). The energy storage system is made with state-of-the-art technology and has the characteristics of high reliability and convenient control. The household and small industrial and commercial scenarios are designed to be broadly applicable.

- A battery management system (hereinafter referred to as BMS) is an electronic system that manages a rechargeable battery.
- A battery module is a type of electrical battery which can charge or discharge loads.
- Series Box is designed to connect the second tower in series through conducting wiring with BMS.

## 2.2 Product Appearance

### 2.2.1 System Introduction

#### System appearance

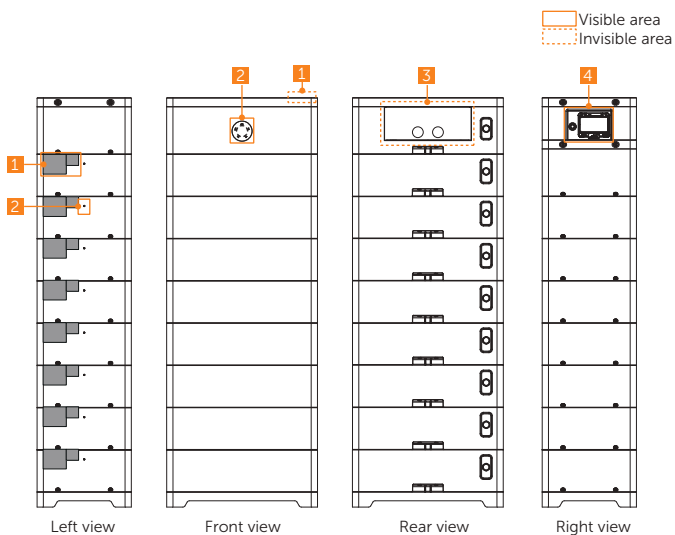


Figure 2-1 Appearance

Table 2-1 Description

No.	Item	Description
1	Labels	Including performance label, which clearly identifies the device type, serial number, parameters, certification, etc., and manufacturer label describing name and address of manufacturer. Please refer to "2.6 Label" for details.
2	Indicator panel	Provide a human-readable indication of an instrument signal. For details, please refer to "2.3 Indicator Panel" for details.
3	Electrical connection area	Including B+/B- ports, communication port, heat port, grounding port, etc. Please refer to for "Introduction of BMS" details.
4	Button/Breaker	Power on or off the system.

Weight and dimension

Table 2-2 Weight and dimension

	BMS (TBMS-S51-8)	Battery Pack (TB-HS51)	Base	Series Box
Length (mm)	600	600	600	600
Depth (mm)	376	376	376	376
Width (mm)	225	168	60	225
Net weight (kg)	18.5	46	4.7	15

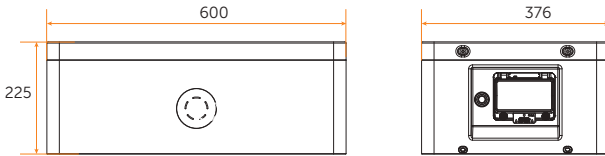


Figure 2-1 BMS

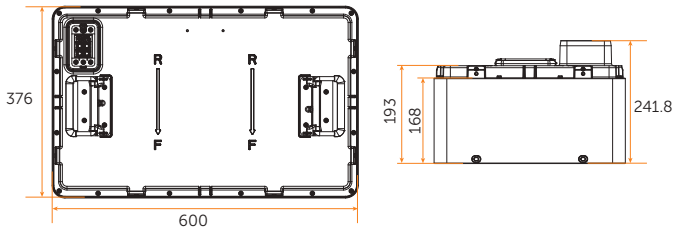


Figure 2-2 Battery pack

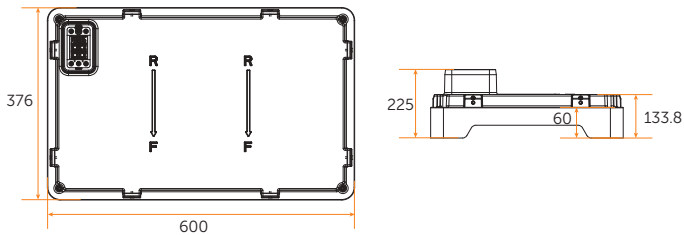


Figure 2-3 Base

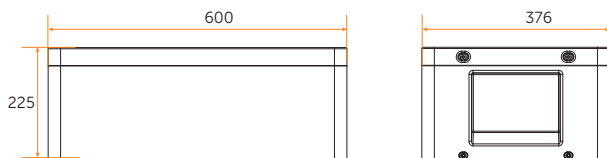


Figure 2-4 Series box

## 2.2.2 Parts Introduction

### Introduction of BMS

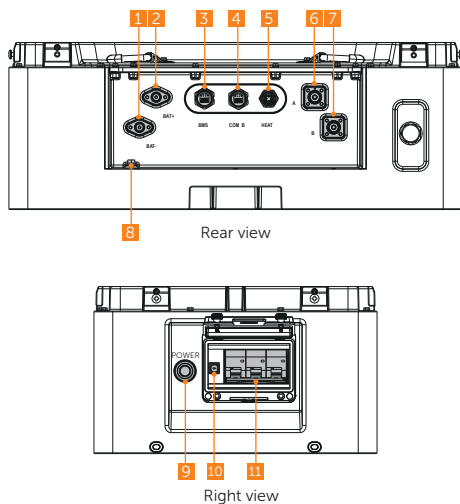


Figure 2-5 Introduction of BMS

Table 2-3 Introduction of BMS

NO.	Item	Description
1	BAT- port	Negative power port: to connect to the "BAT-" port of the inverter.
2	BAT+ port	Positive power port: to connect to the "BAT+" port of the inverter.
3	BMS port	Communication port: to connect to the "BMS" port on the inverter.

NO.	Item	Description
4	COM B port	Communication port: to connect to the "COM B" port of the series box (if any); or doesn't need to be connected.
5	HEAT port	Heater port: to connect to the "HEAT" port of the series box (if any); or a short-circuit plug must be inserted into the port.
6	A port	Positive power port: to connect to the "A" port of the series box.
7	B port	Negative power port: to connect to the "B" port of the series box.
8	GND port	Grounding port: to connect to the grounding port of the inverter and series box (if any).
9	POWER button	To start/shut down system
10	DIP SWITCH	Realize battery's parallel function (a reserved function). Please refer to <a href="#">"2.4 DIP Switch"</a> for details.
11	Breaker	To control the input and output of the battery pack.

### Introduction of battery pack

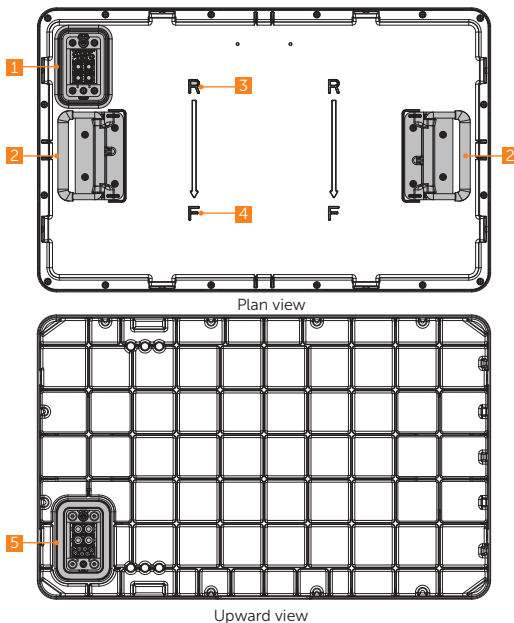


Figure 2-6 Introduction of battery pack

Table 2-4 Introduction of BMS

NO.	Item	Description
1	Connector	To connect to the bottom of the battery pack or BMS.
2	Handles	/
3	"R"	Refer to rear side.
4	"F"	Refer to front side.
5	Connector	To connect to the battery pack or base.

**NOTICE!**

- Due to the weight (46 kg) of the battery pack, it is suggested to arrange for 2 people to move or lift it.

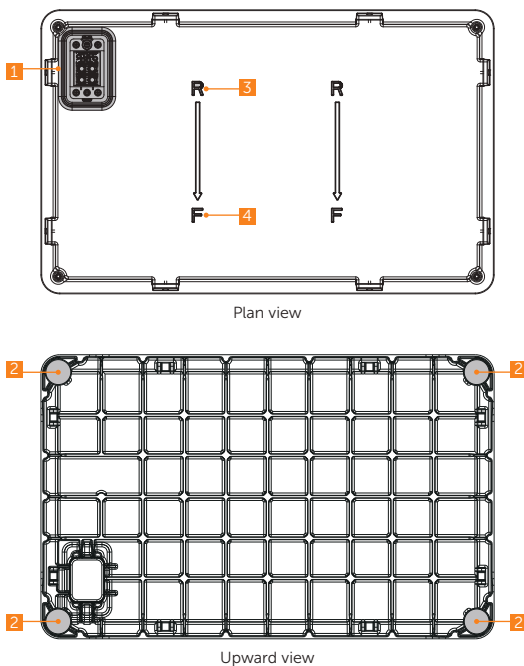
**Introduction of base**

Figure 2-7 Introduction of base

Table 2-5 Introduction of base

NO.	Item	Description
1	Connector	To connect to the bottom of the battery pack.
2	Adjustable screw	To rotate the screws to keep the base even.
3	"R"	Refer to rear side.
4	"F"	Refer to front side.

Introduction of series box

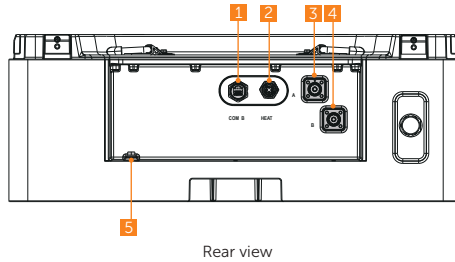


Figure 2-8 Introduction of series box

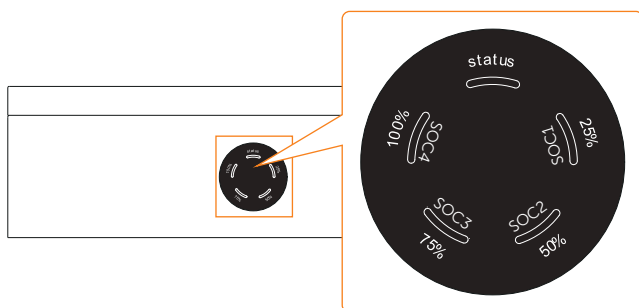
Table 2-6 Introduction of series box

NO.	Item	Description
1	COM B port	Communication port: to connect to the "COM B" port of the BMS.
2	HEAT port	Heater port: to connect to the "HEAT" port of the BMS.
3	A port	Positive power port: to connect to the "A" port of the BMS.
4	B port	Negative power port: to connect to the "B" port of the BMS.
5	GND port	Grounding port: to connect to the grounding port of the BMS.

## 2.3 Indicator Panel

### 2.3.1 BMS Indicators

The BMS is equipped with a tri-colour status light (yellow/green/red) and four single-colour SOC power indicators (green) to show its operating status. The SOC power indicators show the current battery percentage.



Front view

Figure 2-1 Indicators

Table 2-1 Information on indicators

Indication	LED	Colour	State
Start up	Status light	Yellow	Flash
	SOC power indicators	Green	Solid
Self-test	Status light	Yellow	Solid
	SOC power indicators	Green	Solid
Standby	Status light	Green	Solid
	SOC power indicators	Green	Solid
Charging	Status light	Green	Flash
	SOC power indicators	Please refer to " <a href="#">Indicators information while charging</a> " for details.	
Discharging	Status light	Green	Flash
	SOC power indicators	Please refer to " <a href="#">Indicators information while discharging</a> " for details.	
Shut down	Status light	Yellow	Solid
	SOC power indicators	Green	Solid

Indication	LED	Colour	State
Fault	Status light	Red	Flash
	SOC power indicators	Green	Solid
Normal power off	Status light	Green	Flash
	SOC power indicators	Green	Solid
Fault power off	Status light	Red	Flash
	SOC power indicators	Green	Solid
Black start	Status light	Please refer to "2.4 Black Start" for details.	
	SOC power indicators		

**NOTICE!**

- The battery system will assign each battery pack in a communication loop a unique address (battery number) during the "Start up" state. In the meantime, the status light comes on solid green, and the SOC indicators flash green based on the battery pack's actual battery capacity.

**Indicators information while charging**

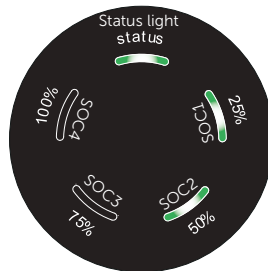


Figure 2-2 Indicator information while charging

If the battery level is between 25% and 50%, the SOC power indicators will show as follows:

- The first two SOC power indicators (SOC1 and SOC2) will flash green light;
- The SOC3 and SOC4 will be off.

Table 2-2 Indicator information while charging

SOC value	Status light	SOC1	SOC2	SOC3	SOC4
SOC=0%	Flash	Off	Off	Off	Off
SOC $\leq$ 25%	Flash	Flash	Off	Off	Off
SOC $\leq$ 50%	Flash	Flash	Flash	Off	Off
SOC $\leq$ 75%	Flash	Flash	Flash	Flash	Off
SOC $\leq$ 100%	Flash	Flash	Flash	Flash	Flash

Note: The light for both the status light and SOC power indicators is green.

### Indicators information while discharging

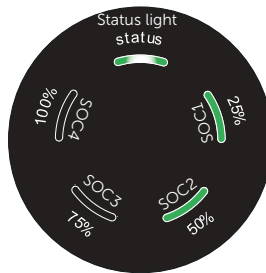


Figure 2-3 Indicator information while discharging

If the battery level is between 25% and 50%, the SOC power indicators will show as follows:

- The first two SOC power indicators (SOC1 and SOC2) will remain on solid green light;
- The SOC3 and SOC4 will be off.

Table 2-3 Indicator information while discharging

SOC value	Status light	SOC1	SOC2	SOC3	SOC4
SOC=0%	Flash	Off	Off	Off	Off
SOC $\leq$ 25%	Flash	Solid	Off	Off	Off
SOC $\leq$ 50%	Flash	Solid	Solid	Off	Off
SOC $\leq$ 75%	Flash	Solid	Solid	Solid	Off
SOC $\leq$ 100%	Flash	Solid	Solid	Solid	Solid

Note: The light for both the status light and SOC power indicators is green.

### 2.3.2 Battery Pack Indicator

The battery pack is equipped with a tri-colour status light (yellow/green/red) to show its operating status.

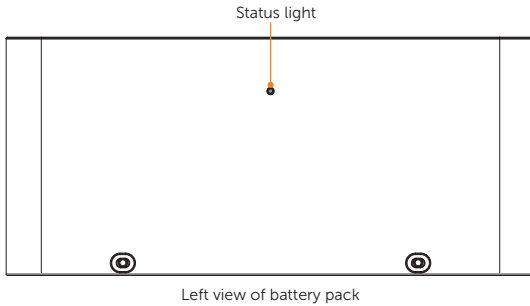







Figure 2-4 Status light

Table 2-4 Information about status light

Indication	LED	State
In normal operation		Normal flash
CAN communication loss for 300 seconds		Fast flash
CAN communication loss for 30 seconds		Solid
AFE communication loss		Normal flash
Battery cell sampling fault		Normal flash

Note: Fast flash indicates that the light flashes every 0.1 seconds, and the normal flash indicates that the light flashes every 5 seconds.

## 2.4 Black Start

The device can provide Black Start capacity, meaning that our energy storage inverter and battery can continue to run even if the power grid and photovoltaic panel are out of service. There are two circumstances:

The startup procedure for Black Start is as follows:

- If there is only one BMS, the startup procedure for Black Start is shown as follows:
  - » Pressing and holding the "POWER" button for over 15 seconds, the status light will fast flash yellow light every 0.1 seconds. After about one minute, the yellow light turns to a green light, which flashes every 5 seconds. At this point, the system enters "Discharge" status.
- If the system is in parallel, the startup procedure for Black Start is shown as follows:
  - » Pressing and holding the "POWER" button of the master BMS for over 15 seconds, the status light of the master BMS will fast flash yellow light every 0.1 seconds, as well as the status light of the secondary BMS. After a while, the yellow light turns to a green light, which flashes every 5 seconds. At this point, the system enters "Discharge" status.

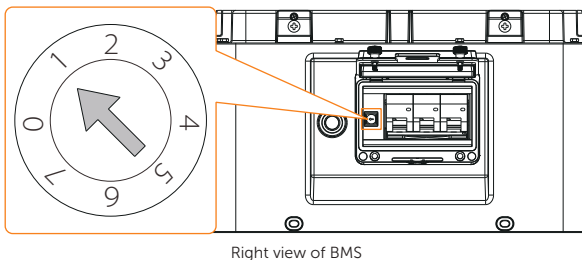
### NOTICE!

- Please release the button when the status light flashes yellow fastly.
- The status light of the secondary BMS flashes after a short delay when the status light of the master BMS flashes.

## 2.5 DIP Switch

A DIP Switch is actually a set of small manual electronic switches that are designed to be packaged with other circuits. It is currently equipped with the battery pack.

The location of the DIP switch and the factory defaults are shown as below.



Right view of BMS

Figure 2-1 DIP switch

There are two circumstances, with details below:

- If there is only one BMS, turn the DIP switch to the "1" position.

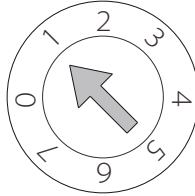
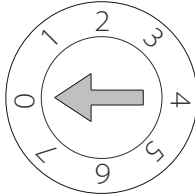
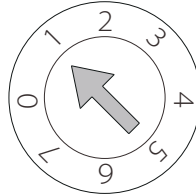


Figure 2-2 DIP switch: "1" position

- If the system is in parallel, turn the DIP switch of the last BMS to the "1" position, and the DIP switch of the remaining BMSs shall stay in "0" position.



DIP switch of remaining BMSs



DIP switch of the last BMS

Figure 2-3 DIP switch: "0" and "1" position

Table 2-1 Description of DIP switch

No.	Description
0	Initial state
1	Terminal resistance
2~7	A reserved function

**NOTICE!**

- To adjust the DIP switch, a small flat-head screwdriver should be prepared by the users themselves. **Do not use a pencil.** Graphite from the pencil is conductive and may damage the DIP switch.

## 2.6 Label

Some kinds of labels, such as a performance label, a manufacturer label, etc., should be pasted on the battery pack and BMS. The above-mentioned labels are located on the left side of the battery pack, as well as on the top right corner of the BMS. For example, the system performance label of the BMS consists of the following parts:

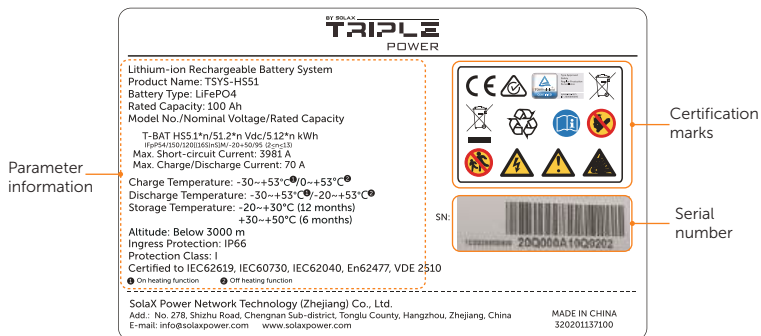


Figure 2-1 System performance label

### Notice!

- Regarding the SN, 32-base nomenclature is adopted to identify the type, specific features, manufacture date, order serial number, and factory serial number.

### 32-base Nomenclature

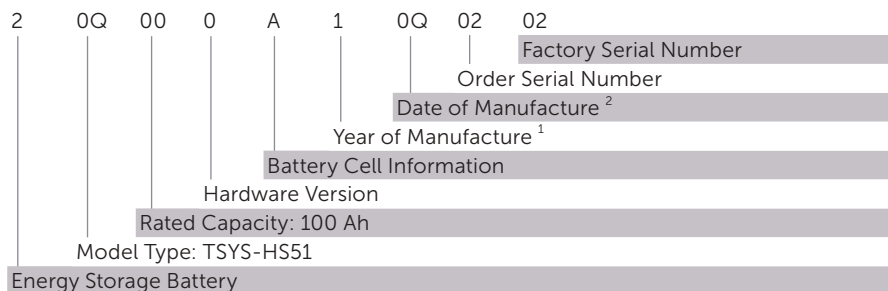



Figure 2-2 Explanation of SN

- 1 0-2023, 1-2024, 2-2025 ..... A-2033, B-2034 .....
- 2 The two digits represent the week of when the battery pack was produced. There are totalling 52 weeks in a year, and the first week is represented by the number 00, and the second week is represented by the number 01. Do the rest in the same manner in accordance with the 32-base coding rule.

## 2.7 Explanation of Symbols and Icons

The meaning of the symbols and icons on the labels is shown as follows:

Table 2-1 Explanation of symbols and icons

Symbol and Icon	Description
	CE mark of conformity.
	TUV certification.
	RCM mark of conformity
	Protective grounding point.
	The battery module may explode. The rechargeable battery can become hot during operation. Avoid touch during operation.
	Danger, electric shock. Do not touch the device after it is powered on. Otherwise, an electric shock may occur.
	Danger. Due to possible risks, do not touch the device after it is powered on.
	Observe enclosed documentation.
	The device cannot be disposed together with the household waste.
	The device cannot be disposed together with the household waste.
	The battery system must be disposed of at a proper facility for environmentally-safe recycling.

---

**Symbol and Icon**

**Description**

---



Keep the device away from children.

---



Keep the device from open flames or ignition sources.

---

# 3 Transportation and Storage

---

## 3.1 Transportation Requirements

### DANGER!

- Do not disassemble the battery violently. Otherwise, it may lead to battery pack short circuit, damage to the device (leakage, rupture), fire, or explosion.

### CAUTION!

- Hold the handles on the device or put your hands underneath the device to move or lift, and do not hold the handles on the parts installed in it.
- Strictly follow the document to carry or move the battery pack. Ensure that the device is correctly placed. Do not place a battery upside down or vertically, lay it on one side, or tilt it. And keep away from rain and water.

### NOTICE!

#### General requirement

- Please pay attention to the signs on the package.
- To prevent injury from oversize loads, assess the device you're about to lift before you start lifting.
- If more than 2 people lift a device, reasonably arrange to have a balanced weight distribution.
- Wear personal protective device, such as, safety gloves, safety boots, etc., to prevent injuries when lifting devices with bare hands.
- Know the right body posture to prevent personal injuries when lifting devices, for instance, bend at your knees, not at your waist or back, and do not twist your back.
- To prevent injuries, do not quickly lift the heavy device above the waist.
- To prevent scratches and dents, or damage to components and cables, avoid impact and falling when moving.
- Be aware of workbenches, slopes, steps, and other places where it is easy to slip when moving devices. Ensure that the passageways are smooth, clean, and away from obstacles.
- To prevent tipover, the forklift's forks must be placed under the load. Center the weight of the load between the forks, and adjust the forks to distribute the weight evenly. Firmly attach the loads to the forks before lifting, and arrange for people to watch for when lifting.
- Relevant qualifications for transport of dangerous goods must be obtained by the forwarding agent engaged in such businesses. Do not transport it in an open trailer.

**NOTICE!**

- Strictly abide by the international regulations on the transport of dangerous goods, and meet the supervision requirements stipulated by the transport authority of the departure country, transit country, and country of destination, respectively.
- Before transportation, check that the battery package is intact and that there is no abnormal odor, leakage, smoke, or sign of burning. Otherwise, the batteries cannot be transported.
- The packing case must be secured for transportation. Handle the case with care during loading, unloading, and transportation, and take measures to prevent moisture damage to the device during transportation.
- Handle gently when moving the battery pack to prevent bumping and damage to individuals.
- Unless otherwise specified, dangerous goods shall not be mixed with goods containing food, medicine, animal feed, or their additives in the same vehicle or container.
- Before moving a faulty battery pack (with scorch, leakage, bulge, or water intrusion), insulate its positive and negative terminals, pack it, and place it in an insulated explosion-proof box as soon as possible. Record information such as the site name, address, time, and fault symptom on the box.
- Keep away from flammable material storage areas, residential areas, and other population centers (e.g., public transport, elevators) when transporting the faulty battery pack.

### 3.2 Storage Requirements

** DANGER!**

- Ensure that batteries are stored in a dry, clean, and ventilated indoor environment that is free from sources of strong infrared or other radiations, organic solvents, corrosive gases, and conductive metal dust. Do not expose batteries to direct sunlight or rain and keep them far away from sources of heat and ignition.
- If a battery is faulty (with scorch, leakage, bulge, or water intrusion), move it to a dangerous goods warehouse for separate storage. And it must be scrapped as soon as possible.
- Store the device according to the caution signs on the packaging to prevent device damage. Do not place a battery upside down or vertically, lay it on one side, or tilt it.
- Store the battery packs in a separate place. Do not store them together with other devices. Do not stack too high. The storage site should be equipped with qualified fire fighting facilities, such as fire sand and fire extinguishers.

** CAUTION!**

- If a battery pack is stored for a long time, please periodically recharge it to protect from damage.

Notice!

**General requirement**

- Store the device according to the signs on the packaging.
- Do not remove the original packaging material and check the outer packaging material regularly.
- If the rechargeable battery has been stored for more than 1 year, it must be checked and tested by professionals before use.
- The relative humidity should be between 4% and 100%.
- It is recommended to store the battery in a temperature range of -20°C to +50°C.

Table 3-1 Storage temperature and recharge time

Storage temperature	Recharge time
+30°C to +50°C	Every 6 months.
-20°C to +30°C	Every 12 months.

# 4 Preparation before Installation

---

## 4.1 Selection of Installation Location

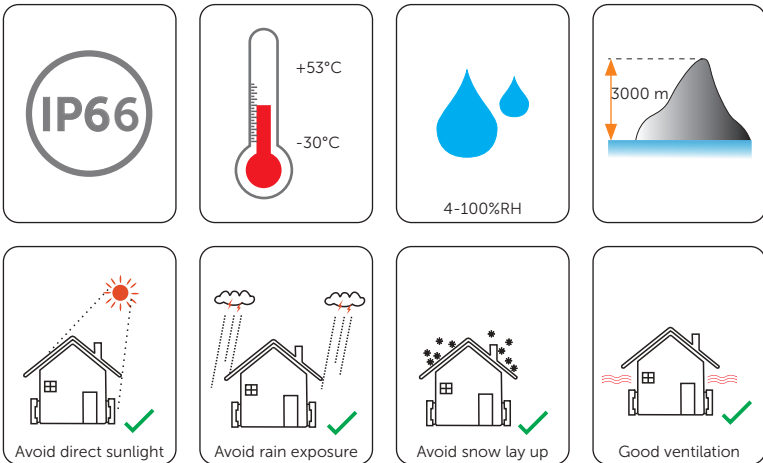
The installation location selected for the rechargeable battery is quite critical in the aspect of the guarantee of machine safety, service life and performance.

- Flaunting an IP66 enclosure, the battery can be used outdoors and indoors;
- The installation position shall be convenient for wiring connection, operation and maintenance.

### 4.1.1 Environment Requirement

Make sure the installation site meets the following conditions:

- Ambient temperature:  $-30^{\circ}\text{C}\sim+53^{\circ}\text{C}$ ;
- Humidity: 4~100%RH
- Do not install the rechargeable battery in the areas where the altitude exceeds 3000 m;
- Install the rechargeable battery in a well-ventilated environment for heat dissipation;
- Do not install the rechargeable battery in areas with flammable, explosive and corrosive materials, as well as areas near combustibles and antenna.



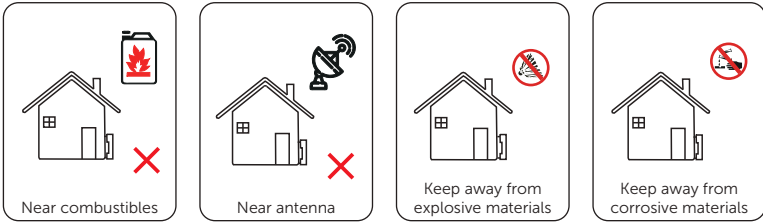


Figure 4-1 Environment requirements

### 4.1.2 Installation Carrier Requirement

The mounting location must be suitable for the weight and dimensions of the product and the support surface for installation must be made of a non-flammable material. Detailed requirements are shown below:

- The installation floor and wall shall be made of noncombustible materials, such as solid brick, concrete, and the surface shall be level, firm, and flat with a sufficient load-bearing capacity;
- Please ensure that the installation site has a bearing capacity of at least 4 times the weight of the entire battery system. For instance, if the user purchases one BMS, three battery packs and one base, the load-bearing capacity  $\geq (\text{BMS weight} + 3 \times \text{battery pack weight} + \text{base weight}) \times 4$ ;
- Please ensure that the thickness of any part of the wall is no less than 150 mm;
- The product must not be installed on the wood wall.

### 4.1.3 Clearance Requirement

To guarantee proper heat dissipation and ease of disassembly, the minimum space around the rechargeable battery must meet the standards indicated below.

- The clearance between the battery to the inverter shall be no less than 100 mm;
- The length of both positive and negative power cables (connecting from the battery to the inverter) provided by our company is 2000 mm;
- Please reserve a distance between 400 to 800 mm on both sides of the device;
- Please reserve enough distance from the device to the ceiling for capacity expansion.

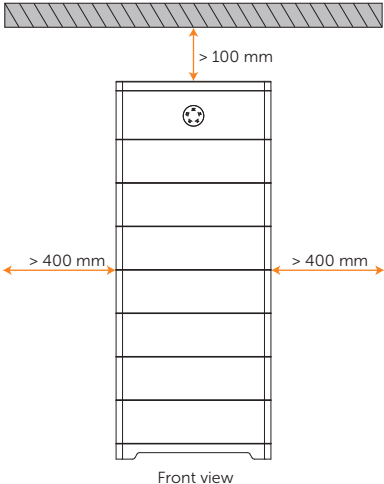


Figure 4-2 Installation clearance for one tower

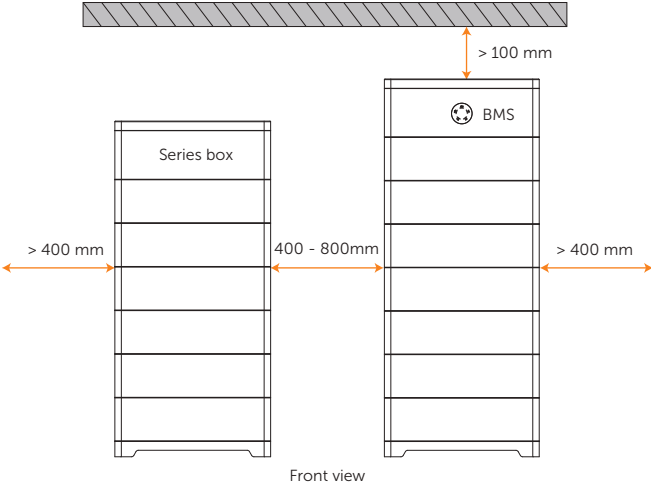


Figure 4-3 Installation clearance for two towers

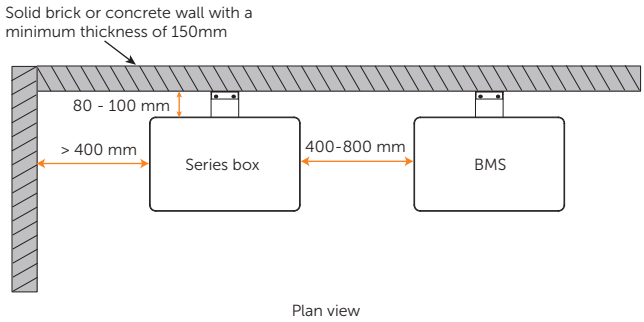


Figure 4-4 Installation clearance for two towers

## 4.2 Installation Option

There are two options: one tower, and two towers.

- If the number of battery packs is  $\leq 8$ , the installation option for one tower is recommended.

Table 4-1 Weight and dimension

	BMS (TBMS-S51-8)	Battery Pack (TB-HS51)	Base	Series Box
Length (mm)	600	600	600	600
Depth (mm)	376	376	376	376
Width (mm)	225	168	60	225
Net weight (kg)	18.5	46	4.7	15

Table 4-2 Information about one tower

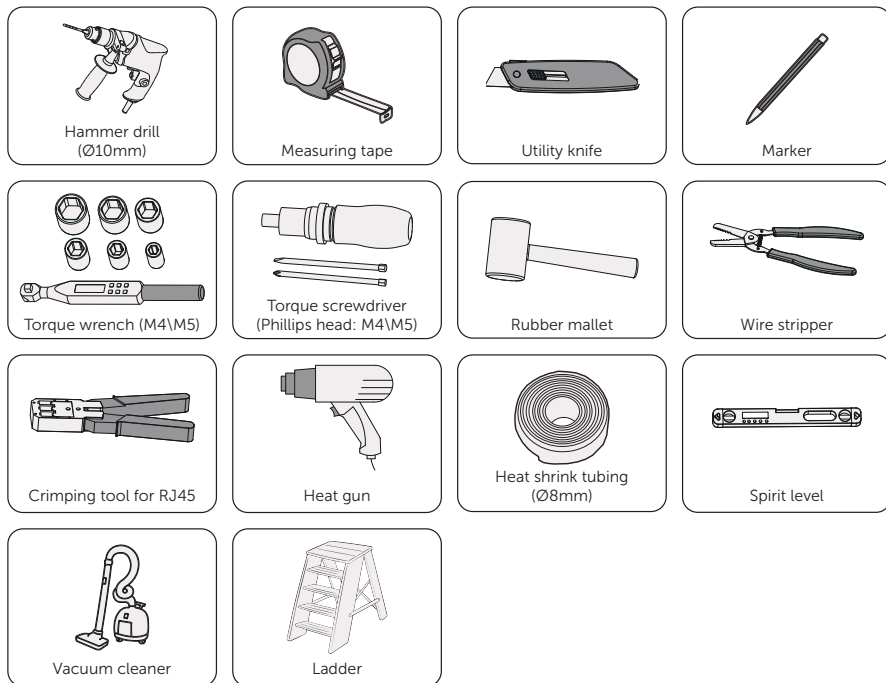
	Number of battery packs							
		2	3	4	5	6	7	8
One tower								
Height (mm)		621	789	957	1,125	1,293	1,461	1,629
Weight (kg)		115.2	161.2	207.2	253.2	299.2	345.2	391.2

- If the number of battery packs is  $\geq 9$ , the installation option for two towers is recommended.

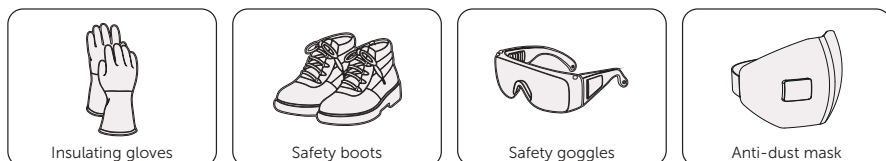
### 4.3 Tools Requirement

Installation tools include but are not limited to the following recommended ones. If necessary, use other auxiliary tools on site.

#### Installation Tools




#### Personal Protective Device



## 4.4 Additionally Required Materials

Table 4-1 Additionally required wires

No.	Required Material	Type	Conductor Cross-section
1	Additional PE wire	 Conventional yellow and green wire	6 mm <sup>2</sup> (for rated current of 30 A); or 10 mm <sup>2</sup> (for rated current of 60 A)

# 5 Unpacking and Inspection

---

## 5.1 Unpacking

- The rechargeable battery undergoes 100% testing and inspection before shipping from the manufacturing facility. However, transport damage may still occur. Before unpacking the rechargeable battery, please verify that the model and outer packing materials for damage, such as holes and cracks.
- Unpack a battery pack according to the following figure. If there are other cartons, such as the BMS carton and series box carton, the unpacking procedure can also be referred to the following figure.

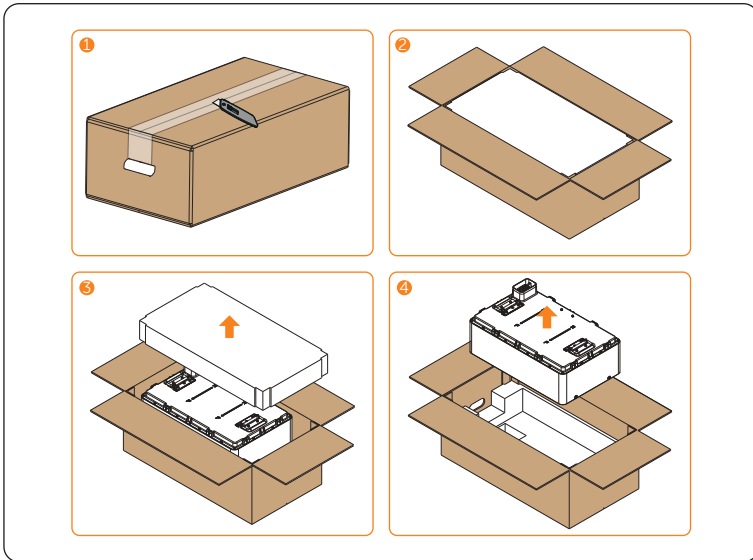


Figure 5-1 Unpacking the battery pack

- Be careful when dealing with all package materials which may be reused for storage and relocation of the rechargeable battery in the future.
- Upon opening the package, check whether the appearance of the rechargeable battery is damaged or lack of accessories. If any damage is found or any parts are missing, contact your dealer immediately.

## 5.2 Scope of Delivery

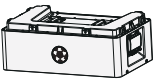

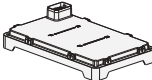
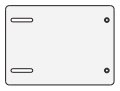
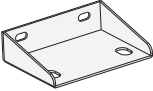
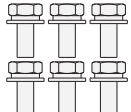
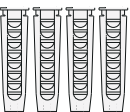
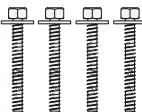
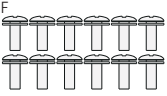
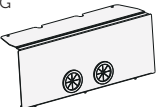




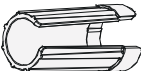
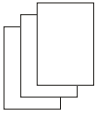
Different types of packing lists for the different installation options, see the following table for details.

Table 5-1 Types of packing lists

Option	Packing List			
	BMS	Battery pack	Series box	BMS Cable (Optional)
One tower	√	√	x	○
Two towers	√	√	√	○

Note: The mark "O" indicates that it is an optional packing list and can be purchased based on the user's actual situation.

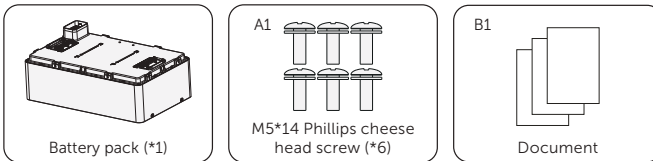
### BMS

 BMS (*1)	 BMS cover (*1)	 Base (*1)	 Adjustable bracket (*1)
 Angle bracket (*1)	 M4*10 Phillips screw (*6)	 Expansion bolt (*4)	 Self-tapping screw (*4)
 M5*14 Phillips cheese head screw (*12)	 Cable guard cover (*1)	 Positive power cable (2000 mm) (*1)	 Negative power cable (2000 mm) (*1)
 Communication cable (BMS port) (2000 mm) (*1)	 RNB5.5-6 ring terminal (*2)	 RNB5.5-6 ring terminal (*2)	 Document

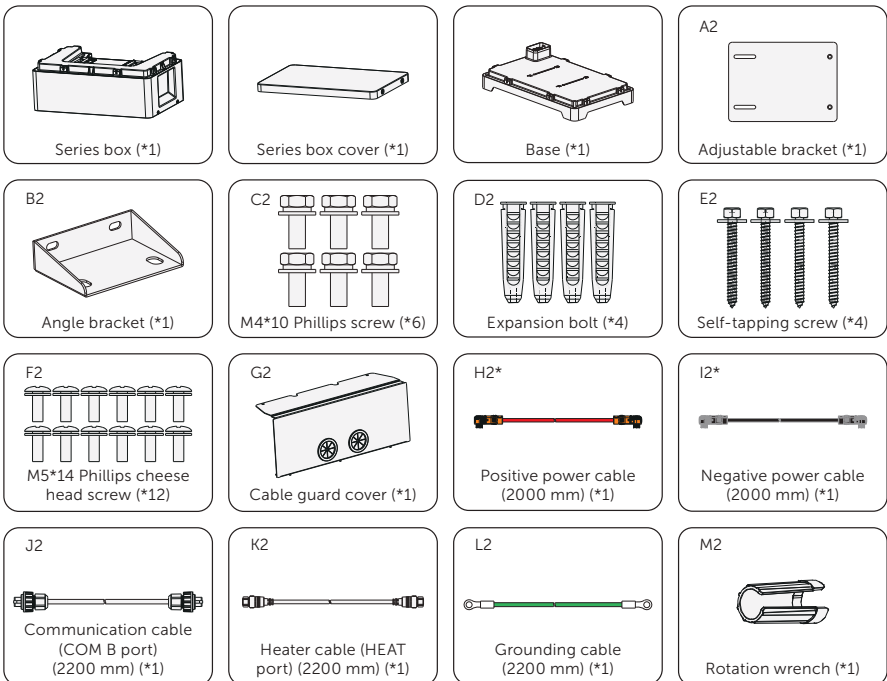
**NOTICE!**

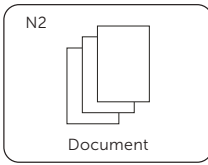
- As for one end of the communication cable that connects to the inverter, the connector needs to be remade and is delivered with the accessories kit for the inverter.
- The RNB5.5-6 ring terminal is suitable for 6 mm<sup>2</sup> grounding wire.

**One Battery Pack**



**Series Box**

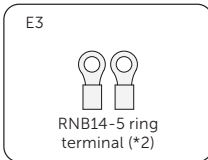
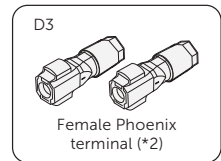
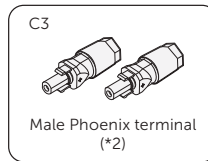
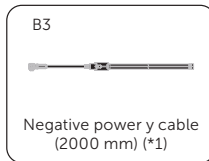




**NOTICE!**

- If the number of battery packs is  $\geq 9$ , the installation option for two towers is recommended. Therefore, a series box needs to be installed to achieve two towers in series.
- The above accessory kit can be purchased according to the actual situation.

**BMS Cable (Optional)**



**NOTICE!**

- As for the installation steps for power y cables, please refer to the inverter's *User Manual*.
- Users can purchase the above-mentioned accessory kit based on their actual needs.
- Do not use the above-mentioned power y cables if the device is in parallel.
- The RNB14-5 ring terminal is suitable for 10 mm<sup>2</sup> grounding wire.

# 6 Installation and Wiring about One Tower

---

## 6.1 Installation Procedure about One Tower

### WARNING!

- Only the qualified personnel can perform the mechanical installation following the local standards and requirements.
- Check the existing power cables or other piping in the wall to prevent electric shock or other damage.
- Use insulated tools and wear personal protective device (PPE) during installation and maintenance.

### CAUTION!

- Pay attention to the weight of the device at all times during transportation and installation, as improper lifting or dropping of the device may cause personal injury. Due to the battery pack's weight of 46 kg, it is suggested to arrange for 2 people to move or lift it.

### NOTICE!

- Regarding the installation option for one tower, up to 8 battery packs can be installed.
- If the number of battery packs is  $> 6$ , and they are installed in one tower, it is suggested to use a ladder or other similar tools when moving and lifting the battery packs.
- Please ensure that the occupied floor area's bearing capacity for the device is over four times the total weight.
- Please ensure that the thickness of any part of the wall is less than 150 mm;
- The product must not be installed on the wood wall.
- Take 8 battery packs, for instance.

The installation diagram about one tower with an inverter, see the following figure:

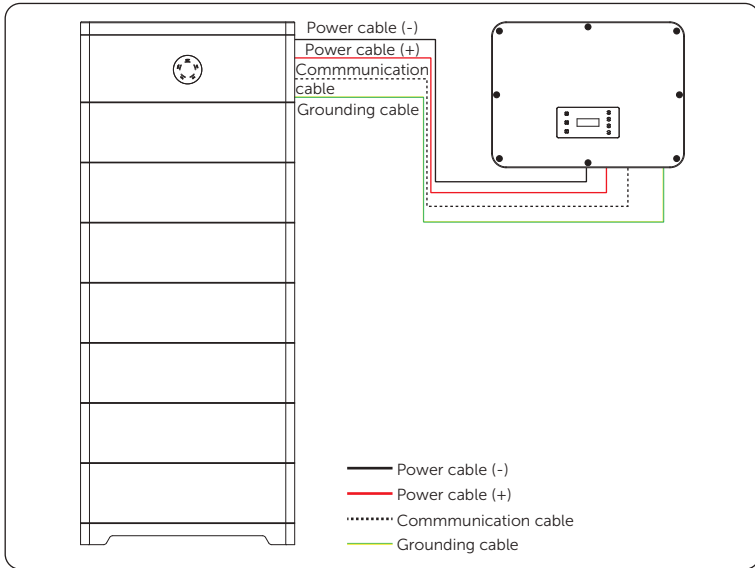


Figure 6-1 Installation diagram for one tower

Step 1: Remove dust covers from the Base, battery pack and BMS before installation.

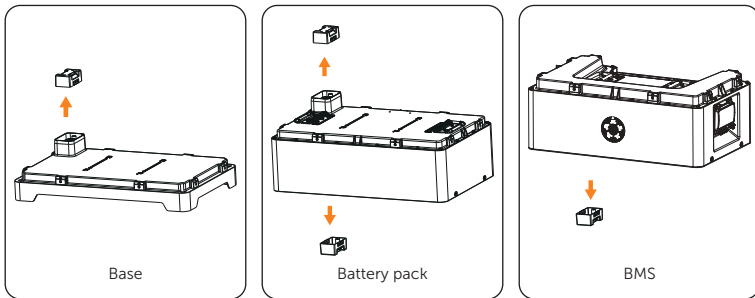


Figure 6-2 Removing dust cover

**CAUTION!**

- The dust cover can only be removed during installation and must be reattached after removing the battery.
- Do not touch the terminals during installation or removal of the battery.

**Step 2:** Place the base. The side with "R" shall be against the wall.

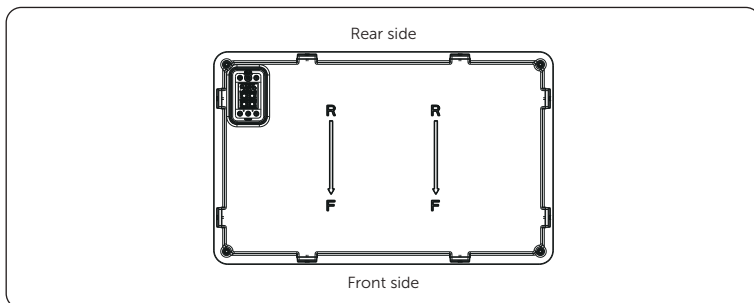


Figure 6-3 Placing base

**Step 3:** Check whether the base is level. If no, rotate the adjustable screws using torque wrench. If yes, skip to step 4.  
Turn clockwise to raise the base, and turn anticlockwise to lower it.

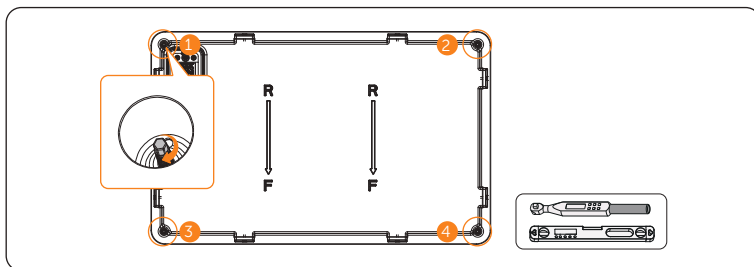


Figure 6-4 Rotating adjustable screw

**NOTICE!**

- Please rotate the adjustable screws to make sure that the base is level by using a spirit level and torque wrench.

**Step 4:** Locate the base about 80 mm to 100 mm away from the wall, and accurately mark the location of the base on both sides with a marker. The recommended distance between the product and the wall is 100 mm.

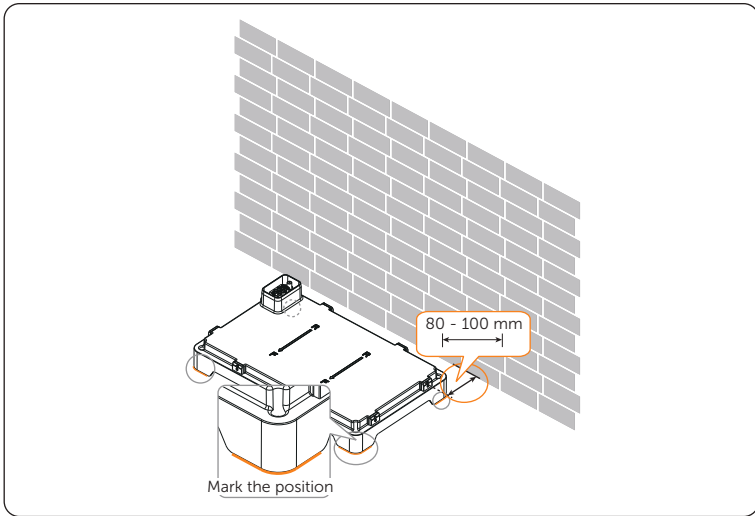


Figure 6-5 Locating base

**Step 5:** Place a battery pack on the base, and correctly insert and tighten the M5\*14 Phillips cheese head screw (Part A1) to secure the base and battery pack. (M5: 4 pieces) (Torque for M5: 1.3-1.5 N·m)

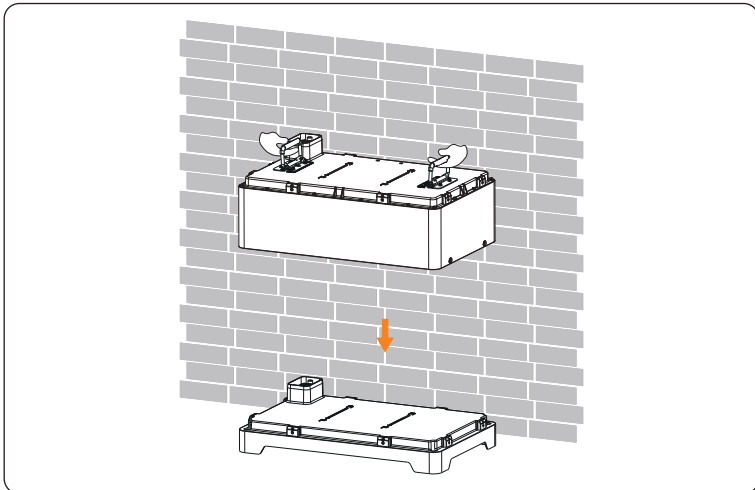


Figure 6-6 Placing battery pack

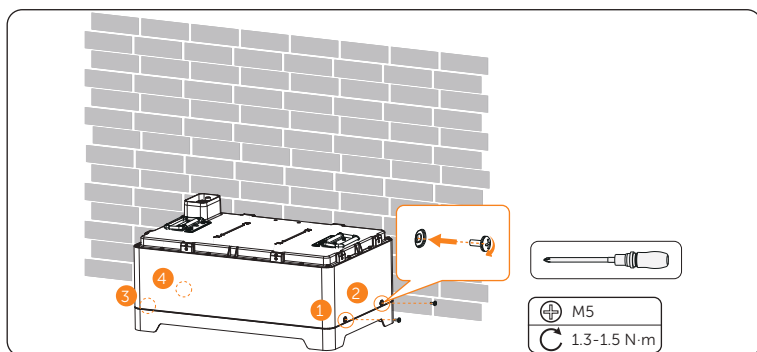


Figure 6-7 Tightening screw

**NOTICE!**

- Please make sure that the corners and edges of the base and battery pack are aligned before tightening screws.
- It is recommended to insert and secure the screws on one side, and then fully tighten them after the screws on the other side are fully tightened.

**Step 6:** Place and secure the remaining battery packs according to Step 5.

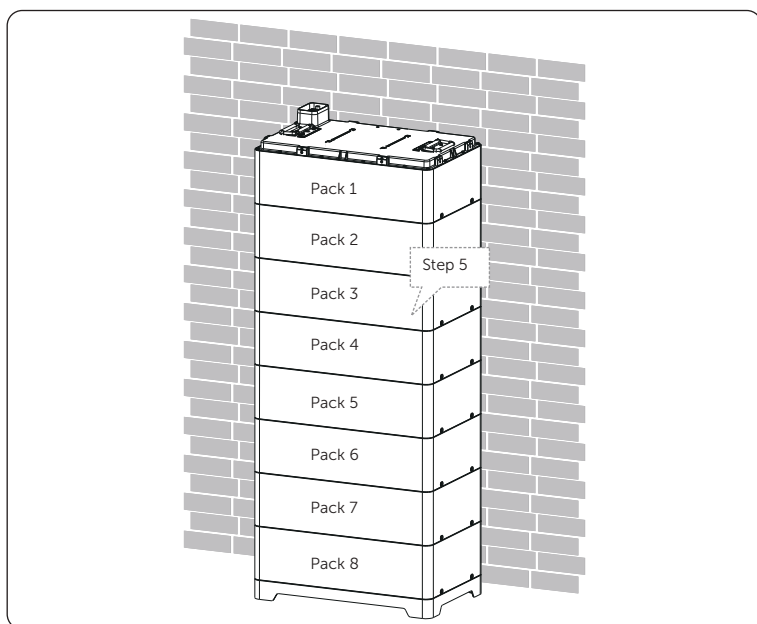


Figure 6-8 Placing battery pack

**Step 7:** Attach the angle bracket (Part B) and adjustable bracket (Part A) by using M5\*14 Phillips cheese head screw (Part F), but do not fully tighten them. (M5: 2 pieces)

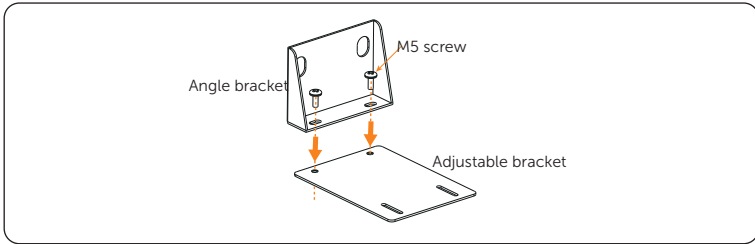


Figure 6-9 Assembling bracket

**Step 8:** Place and secure the assembled bracket to the battery pack by correctly inserting the M4\*10 Phillips screw (Part C), and circle along the inner ring of the holes at the angle bracket side. (M4: 2 pieces)

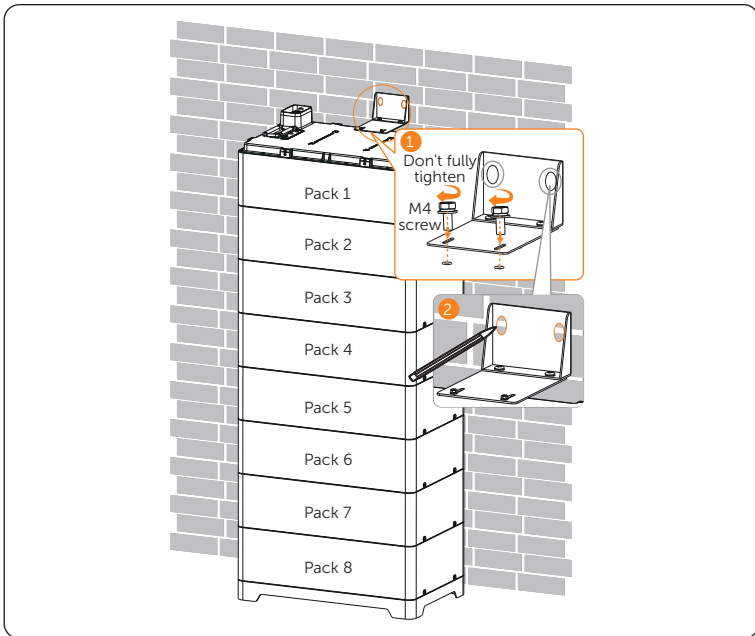


Figure 6-10 Drawing circles

**NOTICE!**

- Please make sure that the corners and edges of the battery packs are aligned before tightening screws.

**Step 9:** Remove the assembled bracket, and drill holes. (Drill bit:  $\varnothing$  10mm; Drill depth:  $\geq$  50 mm)

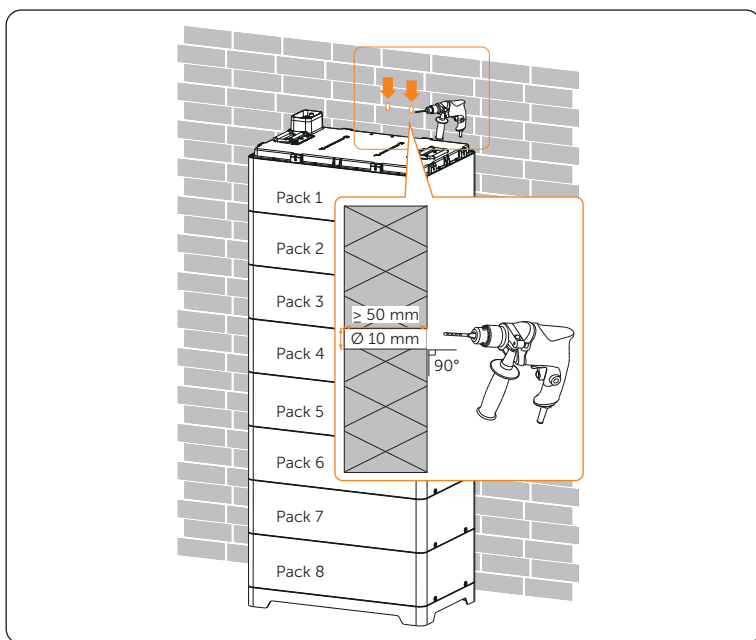


Figure 6-11 Drilling holes

#### NOTICE!

- An electric drill dust collector is recommended.
- To prevent dust from being released into the connector when drilling holes, users may use the package bag of the battery pack or other materials to fully cover it.

**Step 10:** Insert the expansion bolt (Part D) by using rubber, and ensure that the entire expansion bolt is driven into the wall. (Expansion bolt: 2 pieces)

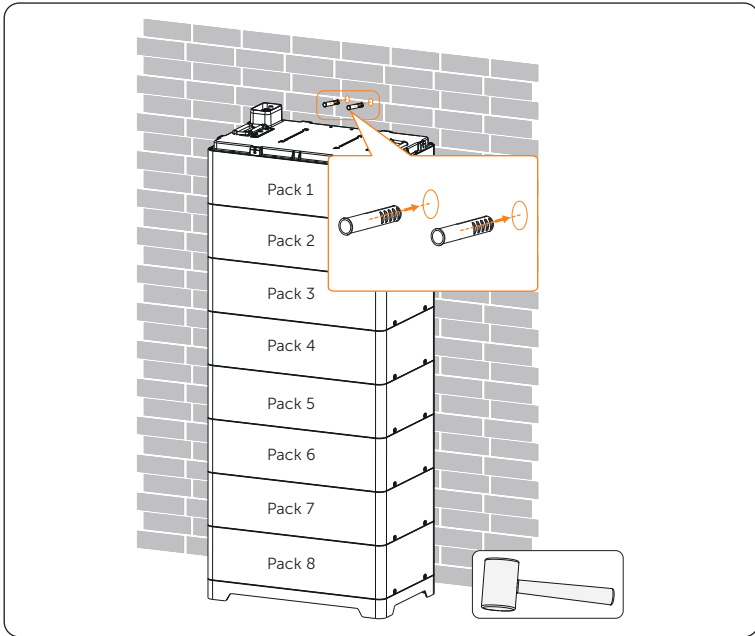


Figure 6-12 Inserting expansion bolt

- Step 11:** Place the assembled bracket on the battery pack again, insert the self-tapping screw (Part E) to secure it on the wall but not tighten it, and tighten M5 screws to secure brackets, as well as M4 screws on the battery pack. Finally, tighten the self-tapping screws. (Torque for self-tapping screw: 6-8 N·m; torque for M5: 1.3-1.5 N·m; torque for M4: 0.9-1.1 N·m)

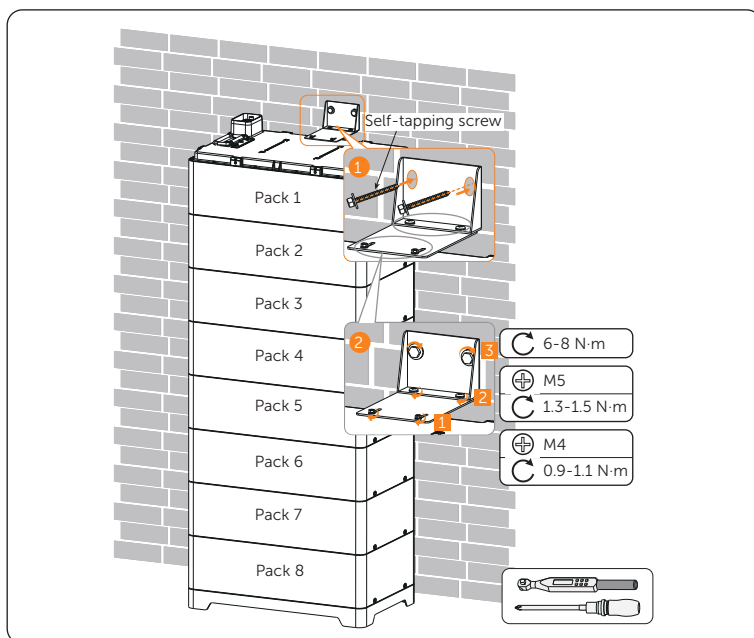


Figure 6-13 Securing assembled bracket

**Step 12:** Place the BMS, and correctly insert and tighten the M5\*14 Phillips cheese head screw (Part F) to secure the base and battery pack. (M5: 4 pieces) (Torque for M5: 1.3-1.5 N·m)

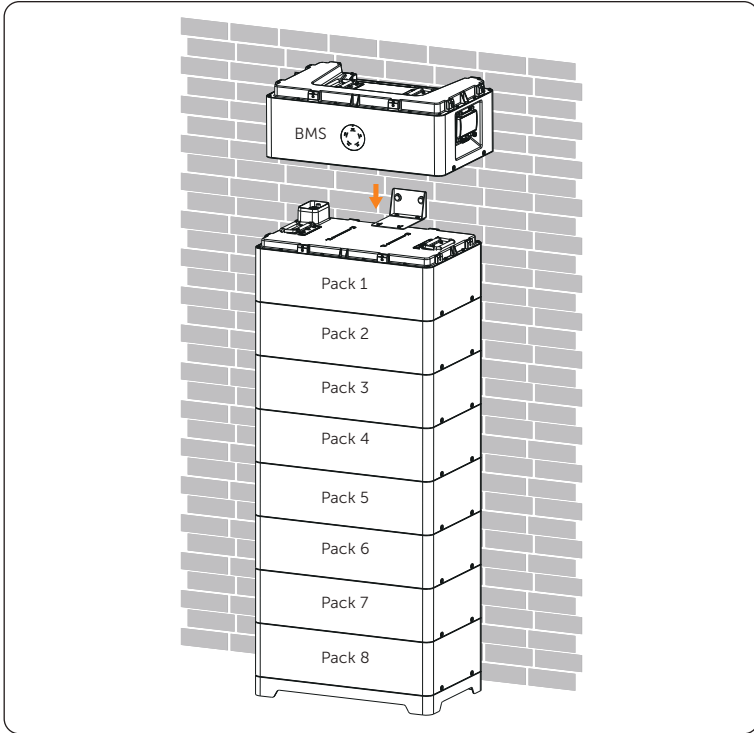


Figure 6-14 Placing BMS

**NOTICE!**

- Gently press the BMS before tightening screws to make sure that the connectors are tightly connected.

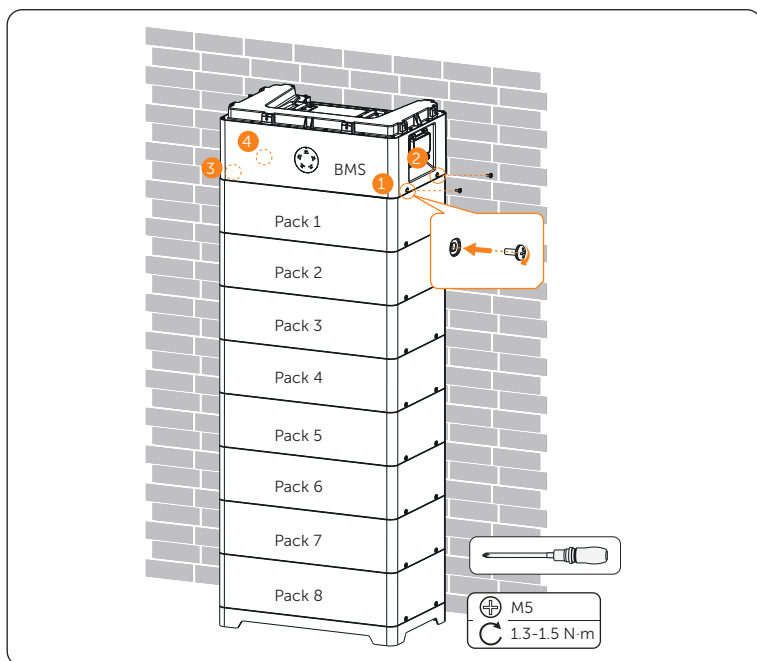


Figure 6-15 Tightening M5 screw

**NOTICE!**

- Please make sure that the corners and edges between the battery pack and BMS are aligned before tightening screws.
- Only one assembled bracket shall be installed for one tower.
- Both the cable guard cover and BMS cover should be installed during wiring.
- It is recommended to insert and secure the screws on one side, and then fully tighten them after the screws on the other side are fully tightened.

## 6.2 Electrical Wiring



- It's important to give the cables a health check before connection.

Cables between the BMS and inverter, as shown in the following figure.

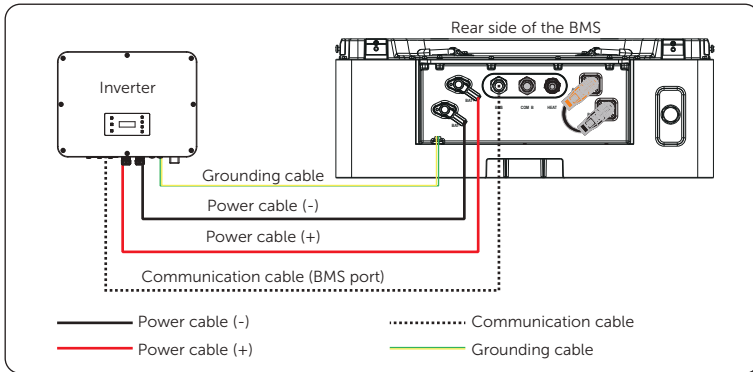


Figure 6-16 Wiring diagram

Regarding the cables shown in the Figure 6-16, see the following table.

Table 6-1 Cable information

Cable	Length	Description
Power cable (+) (standard)	2000 mm	"BAT+" port of BMS → "BAT+" port of inverter
Power cable (-) (standard)	2000 mm	"BAT-" port of BMS → "BAT-" port of inverter
Communication cable c(standard)	2000 mm	"BMS" port of BMS → "BMS" port of inverter
Grounding cable	/	"⊕" port of BMS → "⊕" port of inverter. Please refer to "4.4 Additionally Required Materials" for details.
Power cable (+) (optional)	2200 mm	"BAT+" port of BMS → "BAT+" port of inverter
Power cable (-) (optional)	2200 mm	"BAT-" port of BMS → "BAT-" port of inverter

**NOTICE!**

- The end of cables that will be connected to inverters are bare upon delivery with the battery, and need external connector for connecting inverters.

**6.2.1 PE Connection****⚠ DANGER!**

- Make sure that the PE cable is securely connected.
- Failure to follow these instructions can result in death or serious injury.

**NOTICE!**

- In case of a rated current of 30 A, the wire size of 6 mm<sup>2</sup> for cables (including grounding cable) is recommended; in case of a rated current of 60 A, the wire size of 10 mm<sup>2</sup> for cables (grounding cable) is recommend.
- The grounding cable should be prepared by the users themselves.

A PE cable should be connected between the inverter and BMS, the steps for making PE connection are shown as follows:

**Step 1:** Strip the cable jacket about 8 to 10 mm from the end.

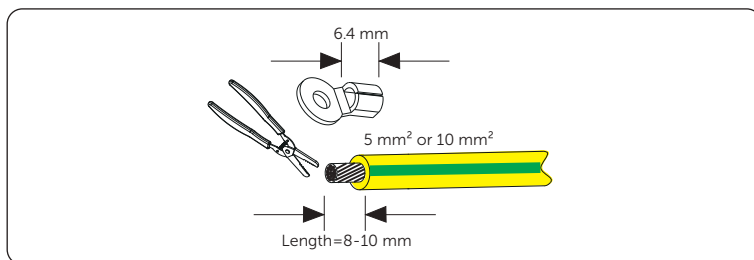


Figure 6-17 Stripping cable jacket

**NOTICE!**

- It's necessary to use controlled motion to strip the insulation down the wire, to prevent damage to the wires.
- Make sure that the insulation layer has been stripped to a sufficient length so that the center conductor is fully exposed without any damage or nicks. In addition, make sure that no extra insulation remains beyond the connector once it's crimped on.

**Step 2:** Cut the heat-shrink tubing to about 28 to 30 mm length, carefully slide it onto the end of the cable, and then carefully slip the wires all the way into the ring terminal (Part K or Part E4).

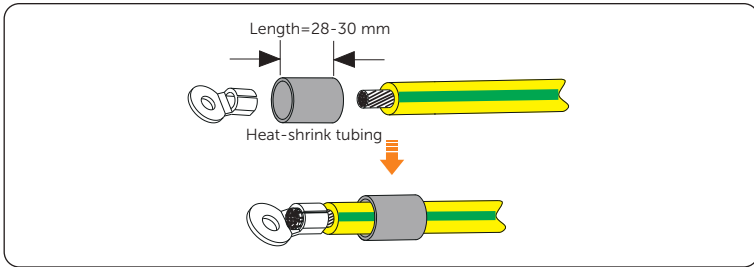


Figure 6-18 Cutting heat-shrink tubing

**Step 3:** Crimp the terminal, and heat the heat-shrink tubing after it wraps the end of terminal.

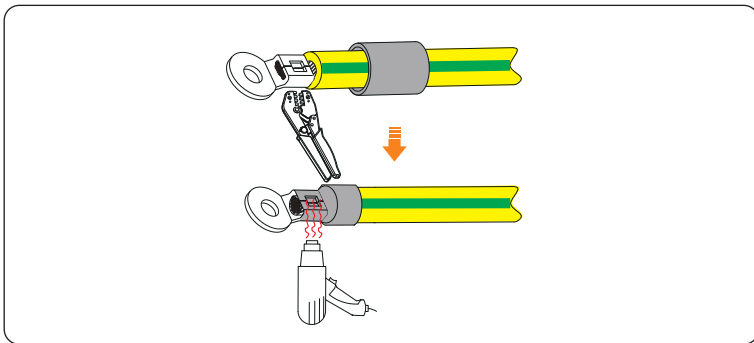


Figure 6-19 Crimping and heating

**NOTICE!**

- Do not place the conductor insulation into the terminal.
- Do not damage the conductor insulation while crimping.
- Move the heat gun back and forth slowly to distribute the heat evenly across the surface of heat shrink tubing.

**Step 4:** Unscrew the M5 screw, connect the assembled grounding cable to the grounding port of the battery pack, and then tighten M5 screw. (Torque for M5: 2.5-2.8 N·m).

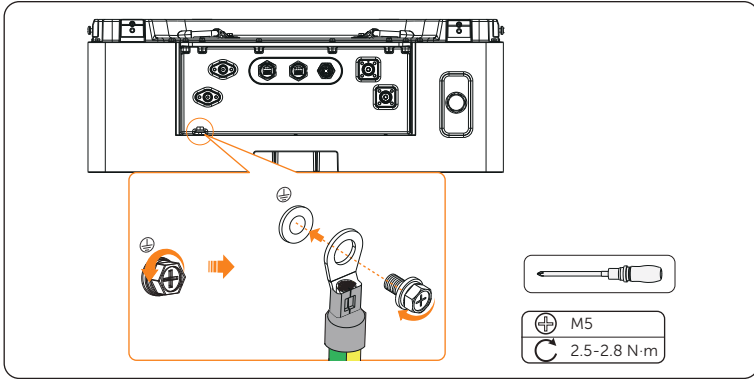


Figure 6-20 Tightening M5 screw

### 6.2.2 Communication Connection

To ensure normal operation between the battery pack and inverter, the end of the communication cable connecting to the inverter is required to make a RJ45 connector.

Make sure that the "BMS" port on the BMS connects to the inverter is Pin to Pin. The "BMS" port pin assignment is shown as follows:

Table 6-2 "BMS" port pin assignment

PIN	1	2	3	4	5	6	7	8
BMS	/	GND	GND	CAN-H	CAN-L	/	485A	485B

The wire sequence is shown as follows:

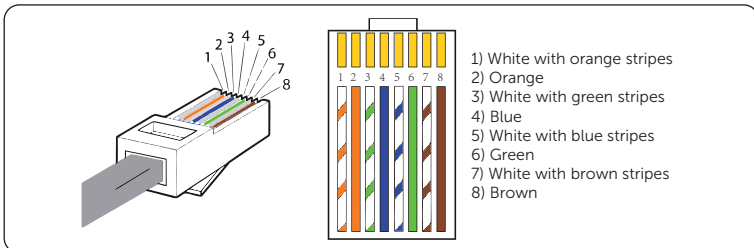


Figure 6-21 Wire sequence

Regarding the steps for making RJ45 connector to the communication cable (Part J), please do as follows:

**Step 1:** Rotate anti-clockwise to unscrew the waterproof cap, and strip the cable jacket about 15 mm down from the end.

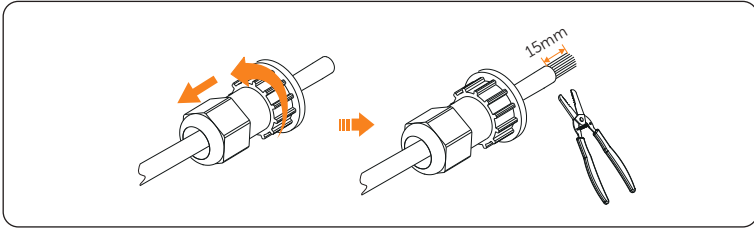


Figure 6-22 Stripping cable jacket

**Step 2:** Thread the cable through the waterproof cap, and carefully insert the wires all the way into the RJ45 connector, making sure that each wire passes through the appropriate guides inside the connector.

**Step 3:** Push the RJ45 inside the crimping tool and squeeze the crimper all the way down.

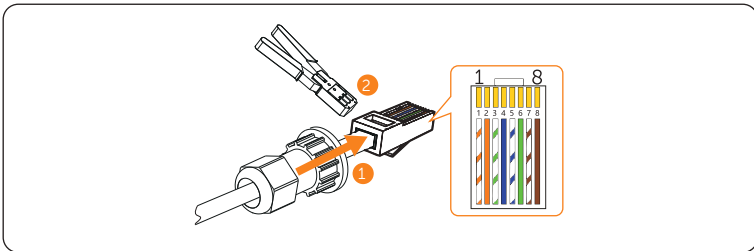


Figure 6-23 Crimping RJ45

**Step 4:** Rotate clockwise to tightening the waterproof cap after connecting to the inverter.

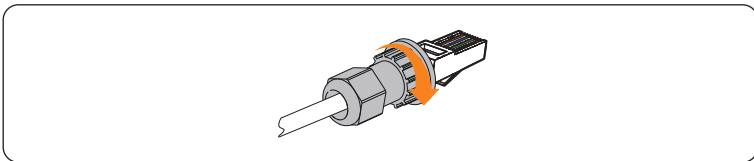


Figure 6-24 Rotating waterproof cap

**NOTICE!**

- The communication cable shall have a shield layer.
- The RJ45 and waterproof cap are delivered with the "Accessory Kit for Inverter". Regarding the detailed installation procedure, please refer to the inverter's *User Manual*.

**6.2.3 Cable Connection between BMS and Inverter****WARNING!**

- Only the qualified personnel can perform the wiring.
- Follow this manual to wire connection. The device damage caused by incorrect cabling is not in the scope of warranty.

**CAUTION!**

- Use insulated tools and wear individual protective tools when connecting cables.
- The short power cable, short-circuit plug, and waterproof cap will be connected before delivery. In that case, do not remove them.

**NOTICE!**

- Before wiring, one end of the following cables connecting to the inverter, positive and negative power cables, and communication cable, should be made with a connector.
- If the number of battery packs is  $\geq 7$ , the wiring can be conducted first before installing the BMS.

**Step 1:** Take out the cable guard cover (Part G).

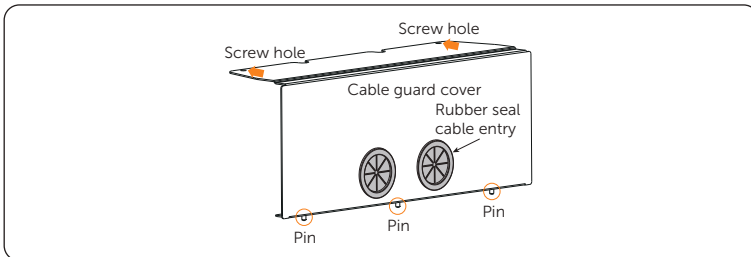


Figure 6-25 Details of cable guard cover

**Step 2:** Thread the cables through the rubber seal cable entry.

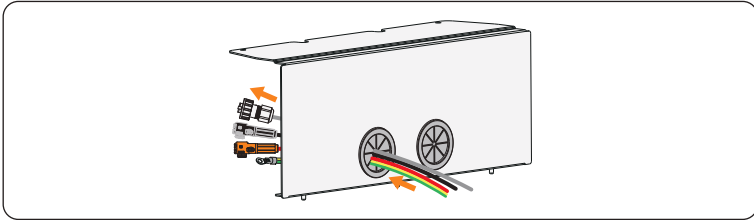


Figure 6-26 Threading cables

**Step 3:** Connect grounding cable to the inverter, see "6.2.1 PE Connection".

**Step 4:** Plug the positive power cable (Part H) to connect: "BAT+" port of the BMS and the "BAT+" port of the inverter;  
Plug the negative power cable (Part I) to connect: "BAT-" port of the BMS and the "BAT-" port of the inverter.

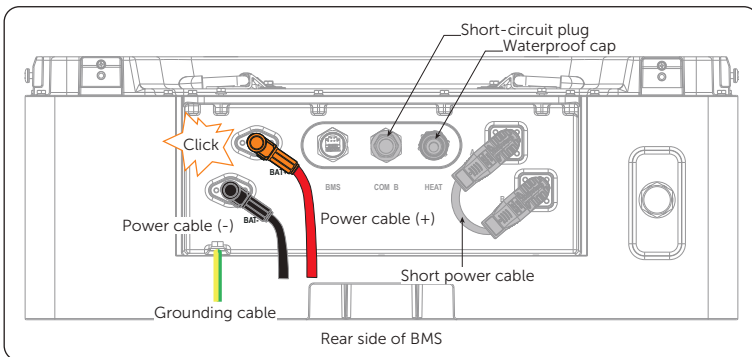


Figure 6-27 Plugging power cables

**CAUTION!**

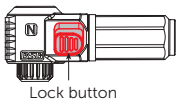


Figure 6-28 Connector on power cable

- Don't violently remove the power cables when they are locked. Otherwise, the connectors will be damaged.
- Press and hold the lock button to unplug the power cable.

**Step 5:** Correctly plug the communication cable (Part J) into the "BMS" port on the BMS and " BMS" port on the inverter, and tighten the cable by using rotation wrench (Part L).

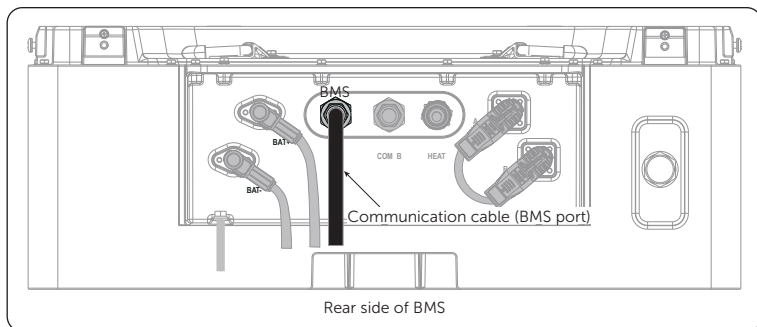


Figure 6-29 Plugging communication cable

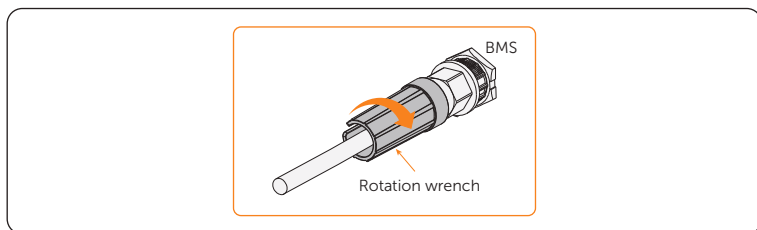


Figure 6-30 Closing communication cable

Step 6: Insert the cover into holes on the BMS.

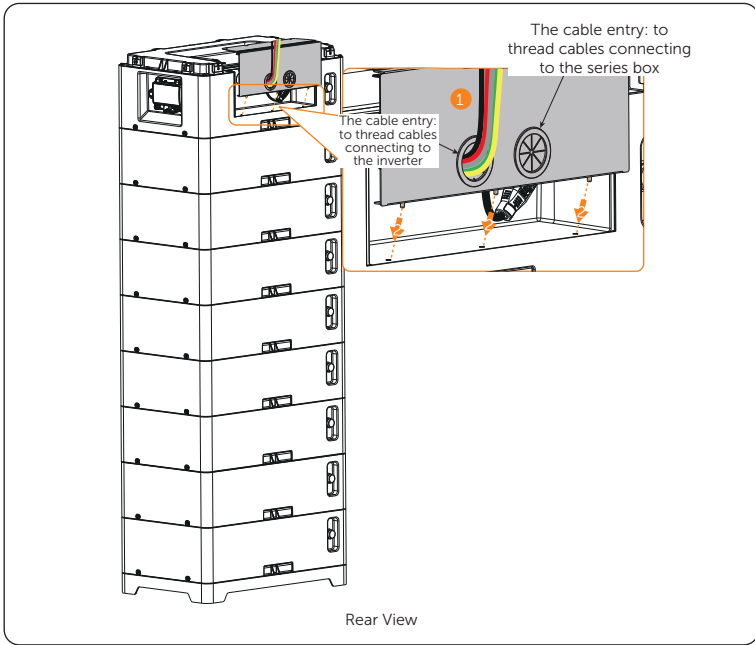


Figure 6-31 Inserting cable guard cover

Step 7: Correctly insert and tighten M4\*10 Phillips screw (Part C) to secure such cover. (M4: 2 pieces) (Torque for M4: 0.9-1.1 N·m)

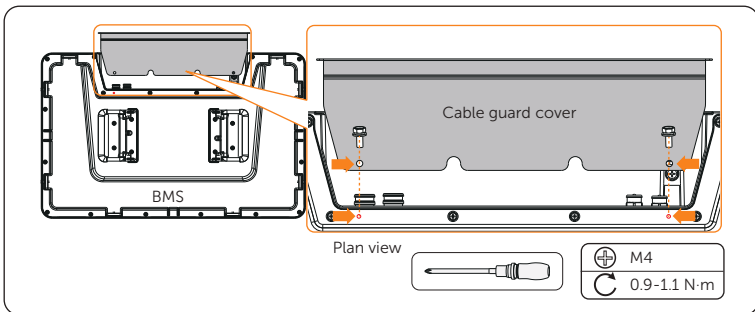


Figure 6-32 Tightening M4 screw

Step 8: Connect the cables to the inverter.

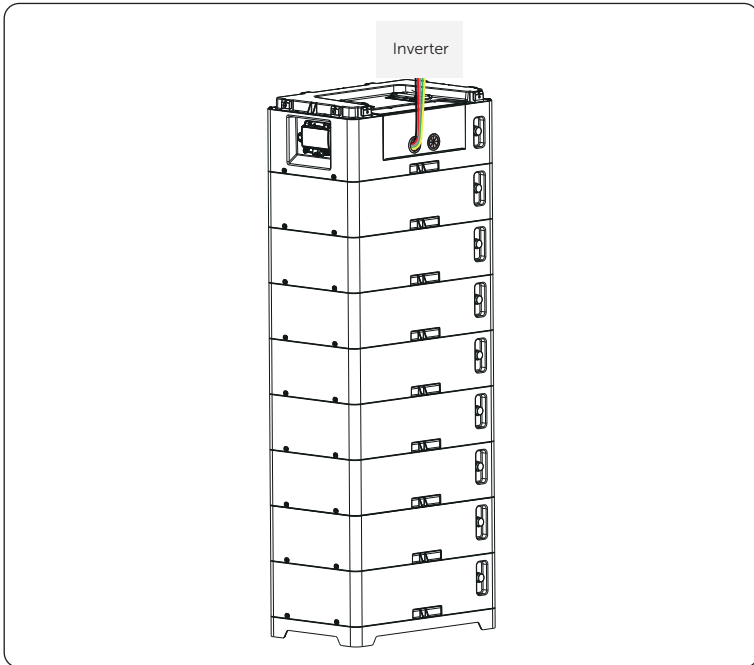


Figure 6-33 Pulling cable

**Step 9:** Place the BMS cover on the BMS.

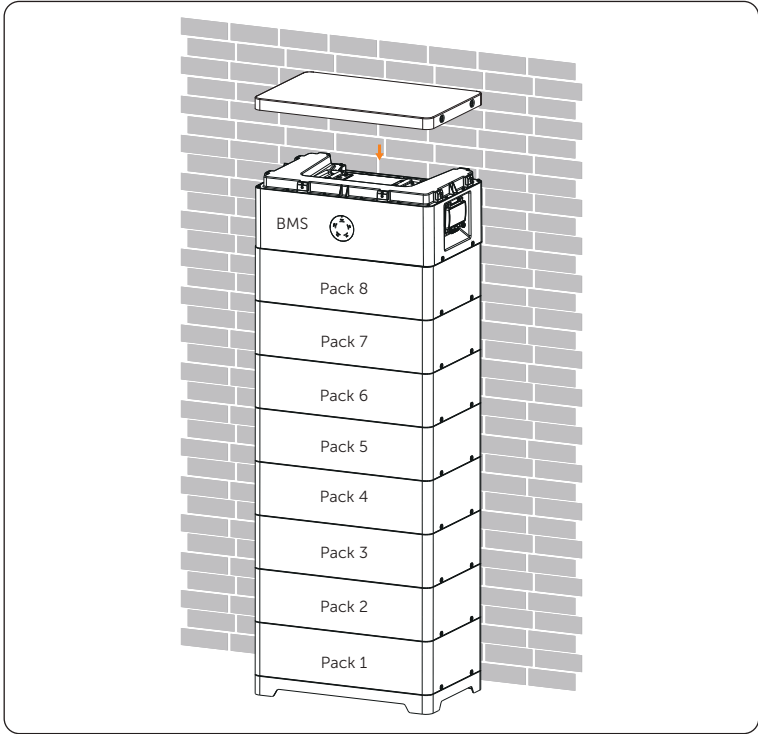


Figure 6-34 Placing BMS

**Step 10:** Correctly insert and tighten the M5\*14 Phillips cheese head screw (Part F) to secure the base and battery pack. (M5: 4 pieces) (Torque for M5: 1.3-1.5 N·m)

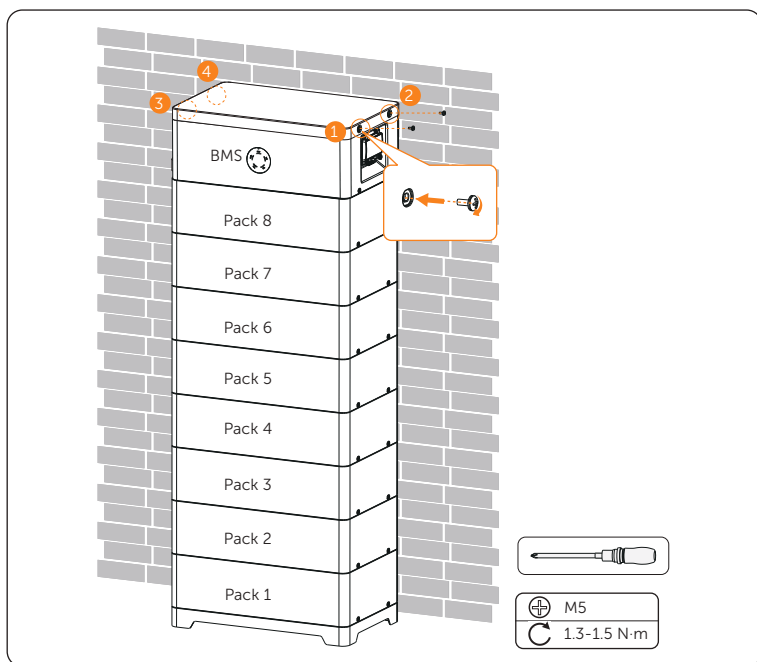


Figure 6-35 Tightening M5 screw

#### NOTICE!

- Please make sure that the corners and edges are aligned before tightening the screws.

# 7 Installation and Wiring about Two Towers

---

## 7.1 Installation Procedure about Two Towers

### WARNING!

- Only the qualified personnel can perform the mechanical installation following the local standards and requirements.
- Check the existing power cables or other piping in the wall to prevent electric shock or other damage.
- Use insulated tools and wear personal protective device (PPE) during installation and maintenance.

### CAUTION!

- Pay attention to the weight of the device at all times during transportation and installation, as improper lifting or dropping of the device may cause personal injury. Due to the battery pack's weight of 46 kg, it is suggested to arrange for 2 people to move or lift it.

### NOTICE!

- If the number of battery packs in a tower is  $> 6$ , it is suggested to use a ladder or other similar tools when moving and lifting the battery packs.
- Please ensure that the occupied floor area's bearing capacity for the device is over four times the total weight.
- Please ensure that the thickness of any part of the wall is less than 150 mm;
- The product must not be installed on the wood wall.

The installation diagram about two towers with an inverter, see the following figure:

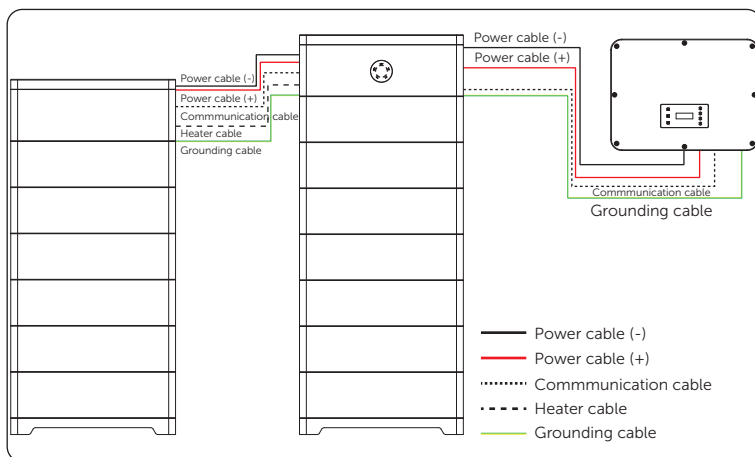


Figure 7-1 Installation diagram for two towers

**Step 1:** Remove dust covers from the Base, battery pack and BMS before installation.

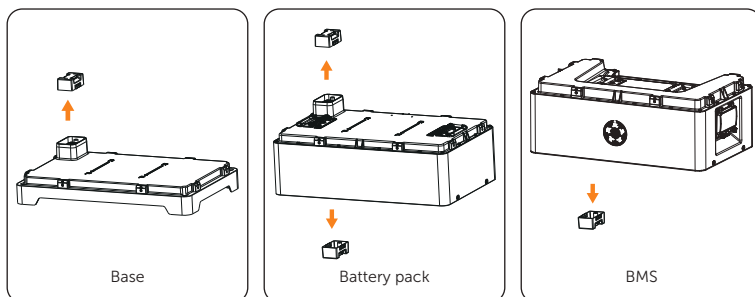


Figure 7-2 Removing dust cover

**CAUTION!**

- The dust cover can only be removed during installation and must be reattached after removing the battery.
- Do not touch the terminals during installation or removal of the battery.

**Step 2:** Place the base. The side with "R" shall be against the wall.

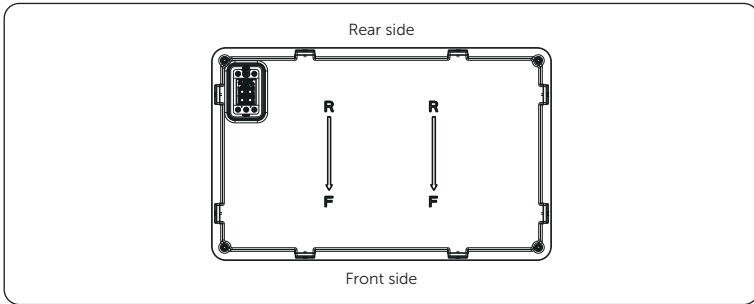


Figure 7-3 Placing base

**Step 3:** Check whether the base is level. If no, rotate the adjustable screws using torque wrench. If yes, skip to step 4. Turn clockwise to raise the base, and turn anticlockwise to lower it.

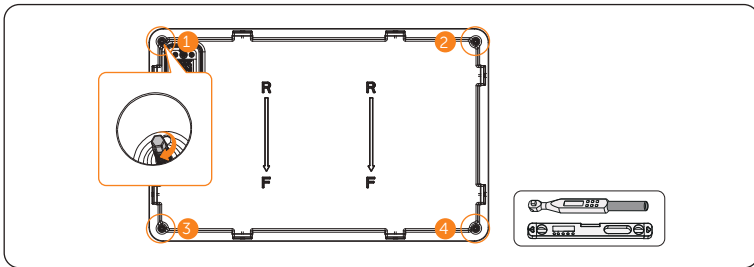


Figure 7-4 Rotating adjustable screw

**NOTICE!**

- Please rotate the adjustable screws to make sure that the base is level by using a spirit level and torque wrench.

**Step 4:** Locate the base about 80 mm to 100 mm away from the wall, and accurately mark the location of the base on both sides with a marker. The recommended distance between the product and the wall is 100 mm.

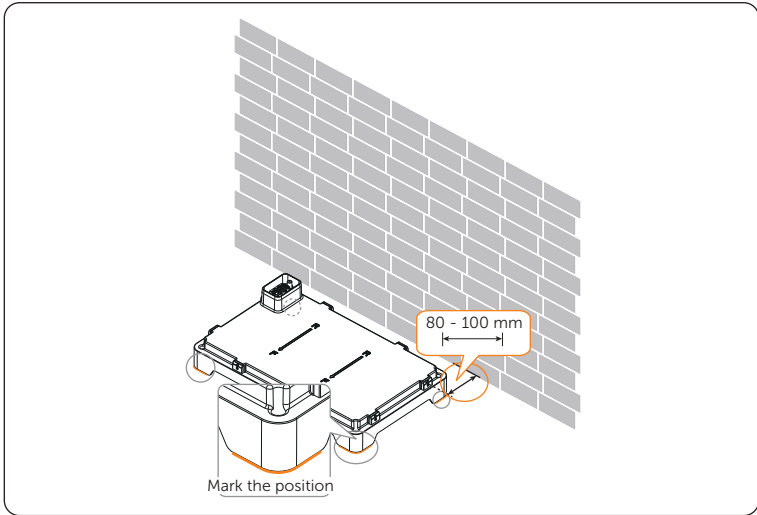


Figure 7-5 Locating base

**Step 5:** Place a battery pack on the base, and correctly insert and tighten the M5\*14 Phillips cheese head screw (Part A1) to secure the base and battery pack. (M5: 4 pieces) (Torque for M5: 1.3-1.5 N·m)

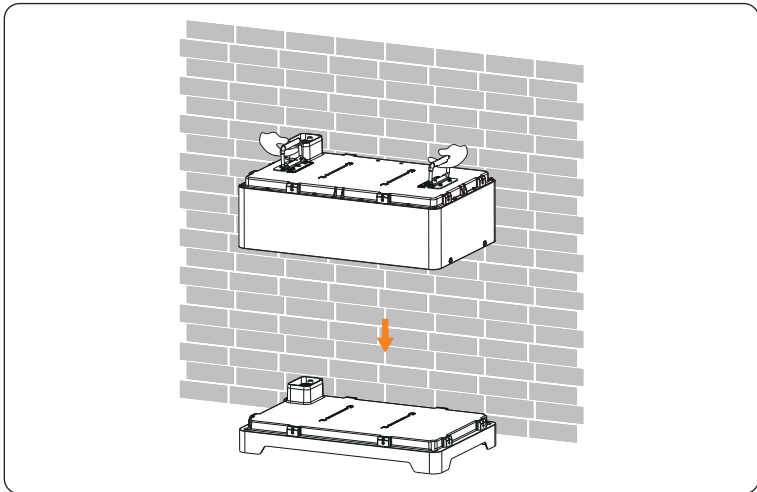


Figure 7-6 Placing battery pack

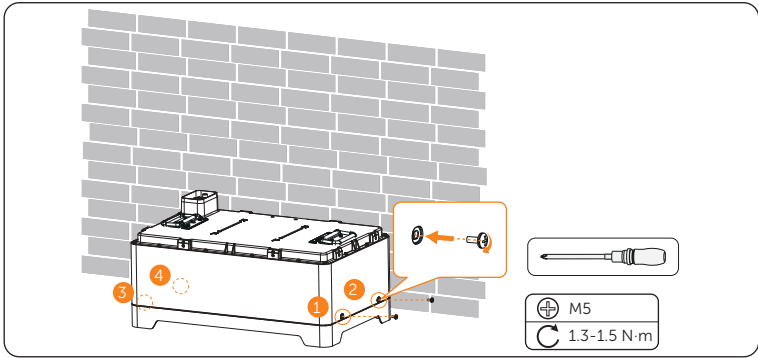


Figure 7-7 Tightening screw

**NOTICE!**

- Please make sure that the corners and edges of the base and battery pack are aligned before tightening screws.
- It is recommended to insert and secure the screws on one side, and then fully tighten them after the screws on the other side are fully tightened.

**Step 6:** Place and secure the remaining battery packs according to Step 5.

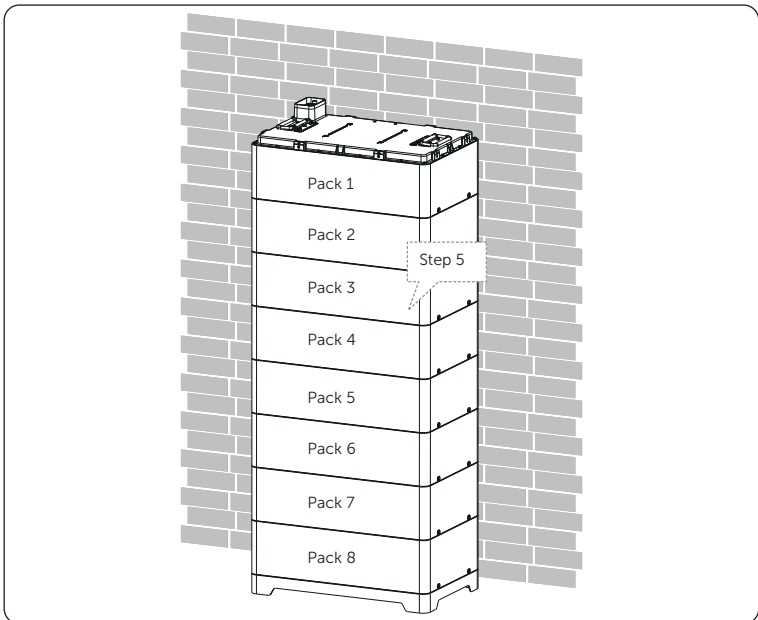


Figure 7-8 Placing battery pack

**Step 7:** Attach the angle bracket (Part B) and adjustable bracket (Part A) by using M5\*14 Phillips cheese head screw (Part F), but do not fully tighten them. (M5: 2 pieces)

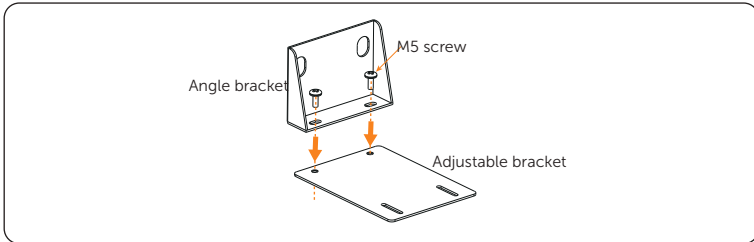


Figure 7-9 Assembling bracket

**Step 8:** Place and secure the assembled bracket to the battery pack by correctly inserting the M4\*10 Phillips screw (Part C), and circle along the inner ring of the holes at the angle bracket side. (M4: 2 pieces)

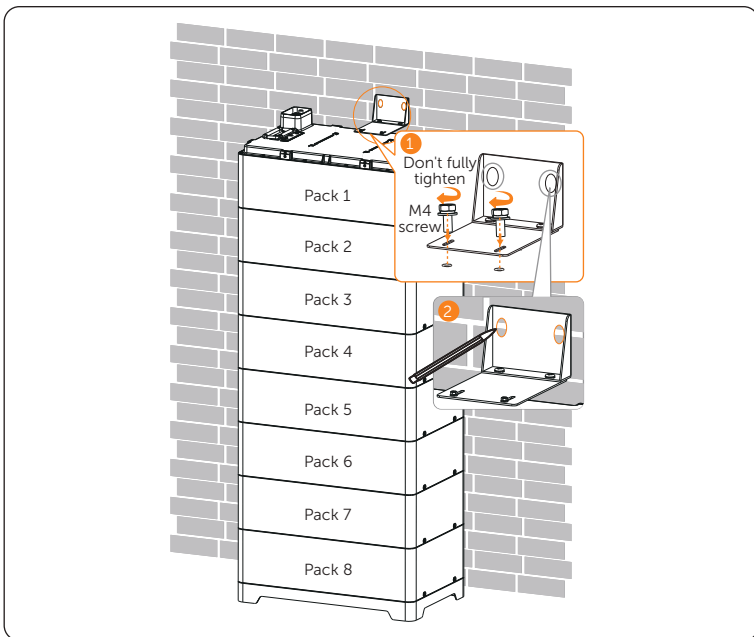


Figure 7-10 Drawing circles

**NOTICE!**

- Please make sure that the corners and edges of the battery packs are aligned before tightening screws.

**Step 9:** Remove the assembled bracket, and drill holes. (Drill bit:  $\varnothing$  10mm; Drill depth:  $\geq$  50 mm)

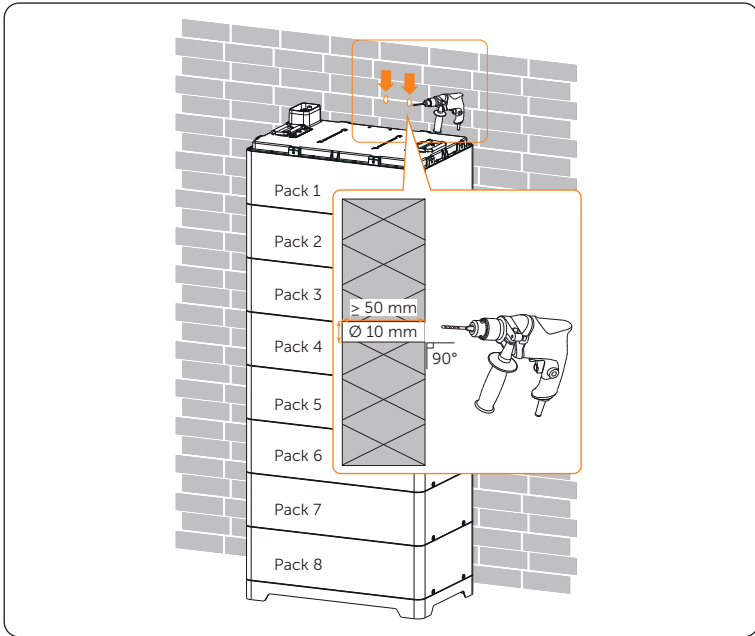


Figure 7-11 Drilling holes

**NOTICE!**

- An electric drill dust collector is recommended.
- To prevent dust from being released into the connector when drilling holes, users may use the package bag of the battery pack or other materials to fully cover it.

**Step 10:** Insert the expansion bolt (Part D) by using rubber, and ensure that the entire expansion bolt is driven into the wall. (Expansion bolt: 2 pieces)

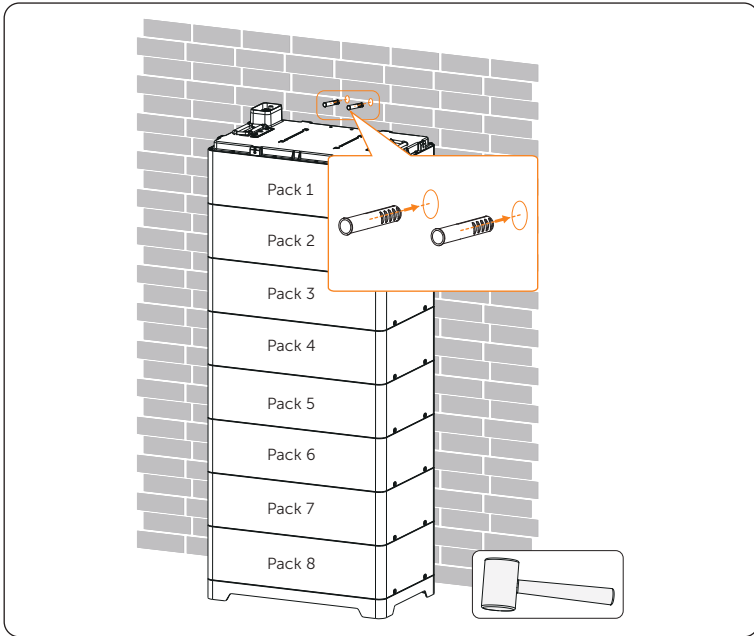


Figure 7-12 Inserting expansion bolt

**Step 11:** Place the assembled bracket on the battery pack again, insert the self-tapping screw (Part E) to secure it on the wall but not tighten it, and tighten M5 screws to secure brackets, as well as M4 screws on the battery pack. Finally, tighten the self-tapping screws. (Torque for self-tapping screw: 6-8 N·m; torque for M5: 1.3-1.5 N·m; torque for M4: 0.9-1.1 N·m)

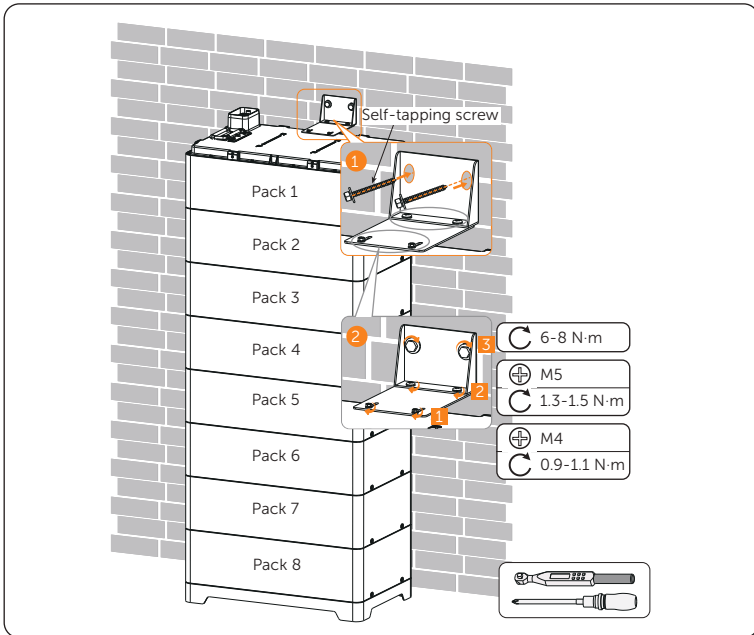


Figure 7-13 Securing assembled bracket

- Step 12:** Place the BMS, and correctly insert and tighten the M5\*14 Phillips cheese head screw (Part F) to secure the base and battery pack. (M5: 4 pieces) (Torque for M5: 1.3-1.5 N·m)

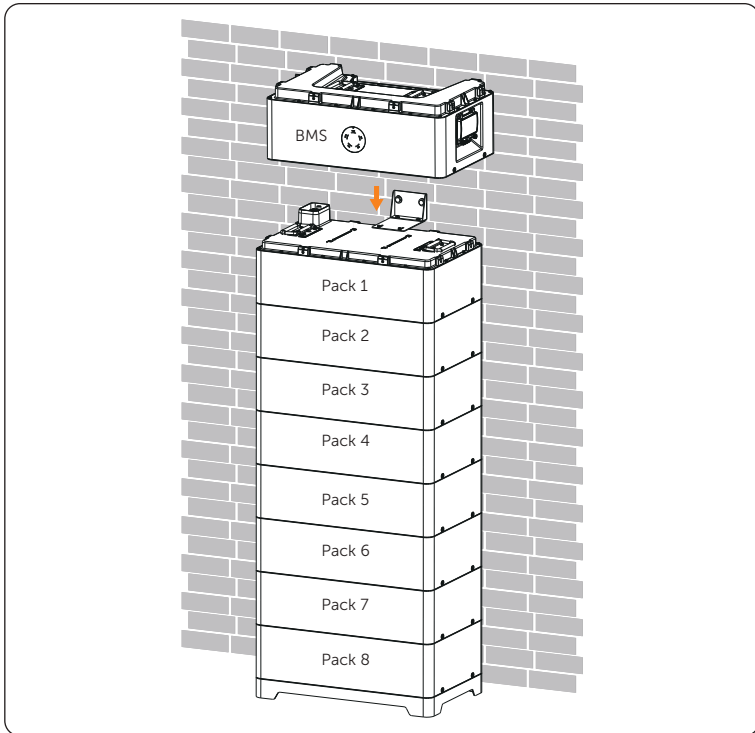


Figure 7-14 Placing BMS

**NOTICE!**

- Gently press the BMS before tightening screws to make sure that the connectors are tightly connected.

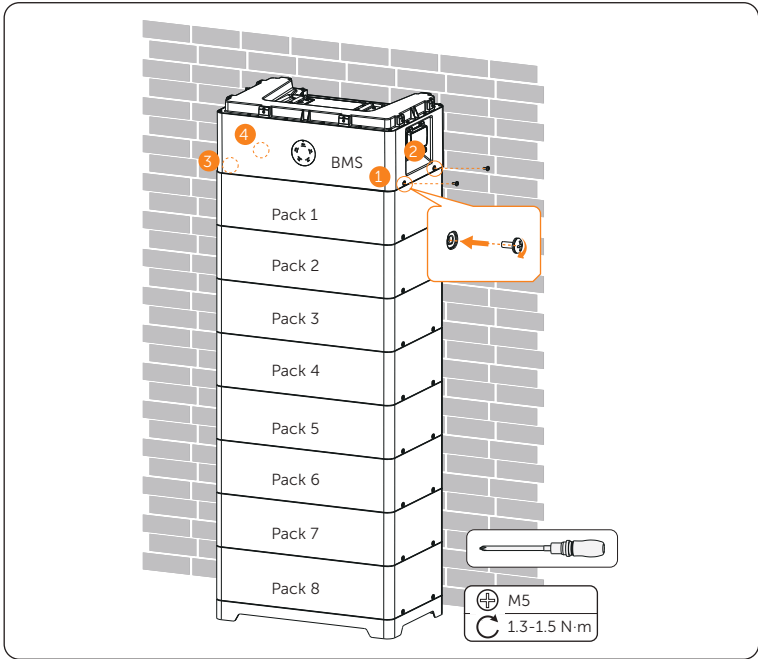


Figure 7-15 Tightening M5 screw

**NOTICE!**

- Please make sure that the corners and edges between the battery pack and BMS are aligned before tightening screws.
- Both the cable guard cover and BMS cover should be installed during wiring.
- It is recommended to insert and secure the screws on one side, and then fully tighten them after the screws on the other side are fully tightened.

**Step 13:** Repeat steps 1 to 12 to install the remaining battery packs and series box.

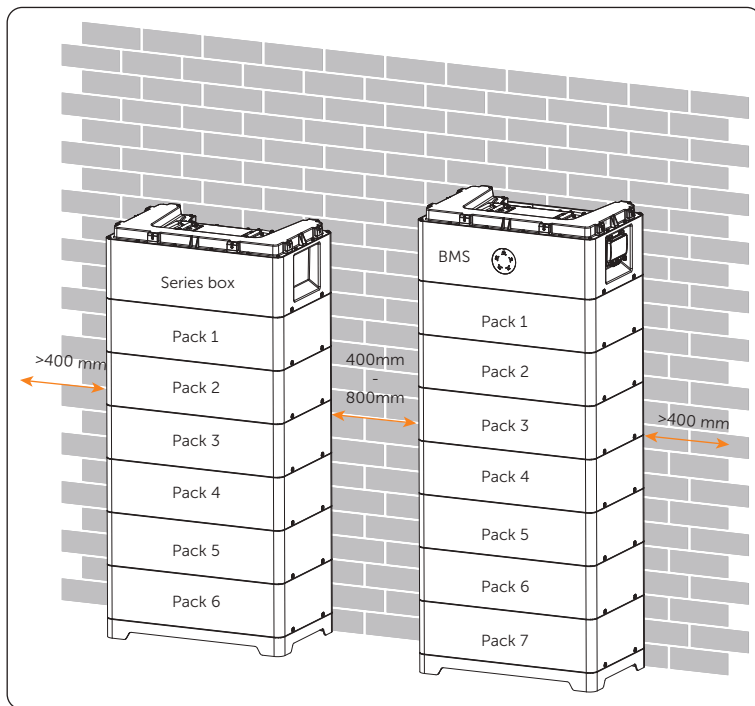


Figure 7-16

#### NOTICE!

- Please make sure that the corners and edges between the battery pack and series box are aligned before tightening screws.
- Gently press the series box before tightening screws to make sure that the connectors are tightly connected.
- Both the cable guard cover and BMS cover should be installed during wiring.
- It is recommended to insert and secure the screws on one side, and then fully tighten them after the screws on the other side are fully tightened.

## 7.2 Electrical Wiring



- It's important to give the cables a health check before connection.

Cables between the BMS and inverter, and the BMS and series box, as shown in the following figure.

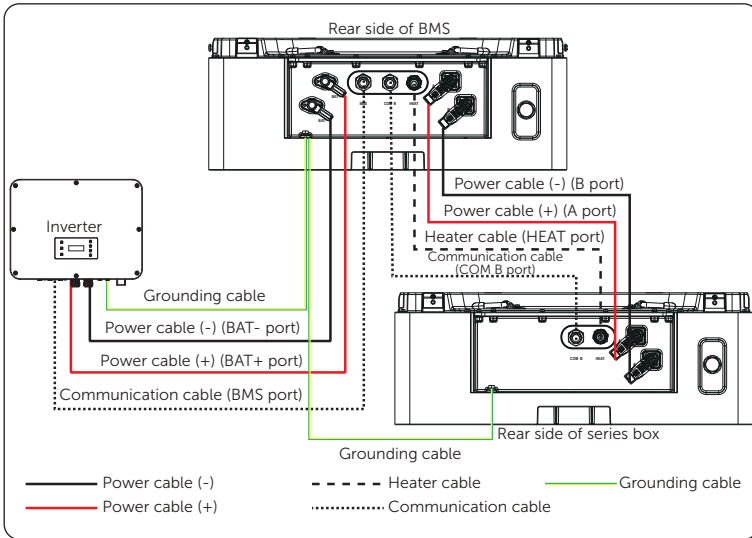









Figure 7-17 Wiring diagram

Regarding the cables shown in the Figure 7-17, see the following table.

Table 7-1 Cable information

Cable	Length	Description
Power cable (+) (standard)	2000 mm	"BAT+" port of BMS → "BAT+" port of inverter
Power cable (-) (standard)	2000 mm	"BAT-" port of BMS → "BAT-" port of inverter
Communication cable c(standard)	2000 mm	"BMS" port of BMS → "BMS" port of inverter
Grounding cable	/	"⊕" port of BMS → "⊕" port of inverter. Please refer to "4.4 Additionally Required Materials" for details.

Cable	Length	Description
Power cable (+) (standard)		2000mm "A" port of BMS → "A" port of series box
Power cable (-) (standard)		2000mm "B" port of BMS → "B" port of series box
Communication cable c(standard)		2200mm "COM B" port of BMS → "COM B" port of series box
Heater cable (standard)		2200mm "HEAT" port of BMS → "HEAT" port of series box
Grounding cable (standard)		2200mm "⏏" port of BMS → "⏏" port of series box
Power cable (+) (optional)		2200 mm "BAT+" port of BMS → "BAT+" port of inverter
Power cable (-) (optional)		2200 mm "BAT-" port of BMS → "BAT-" port of inverter

**NOTICE!**

- The end of cables that will be connected to inverters are bare upon delivery with the battery, and need external connector for connecting inverters.

### 7.2.1 PE Connection

 **DANGER!**

- Make sure that the PE cable is securely connected.
- Failure to follow these instructions can result in death or serious injury.

**NOTICE!**

- In case of a rated current of 30 A, the wire size of 6 mm<sup>2</sup> for cables (including grounding cable) is recommended; in case of a rated current of 60 A, the wire size of 10 mm<sup>2</sup> for cables (grounding cable) is recommend.
- The grounding cable should be prepared by the users themselves.

A PE cable should be connected between the inverter and BMS, the steps for making PE connection are shown as follows:

**Step 1:** Strip the cable jacket about 8 to 10 mm from the end.

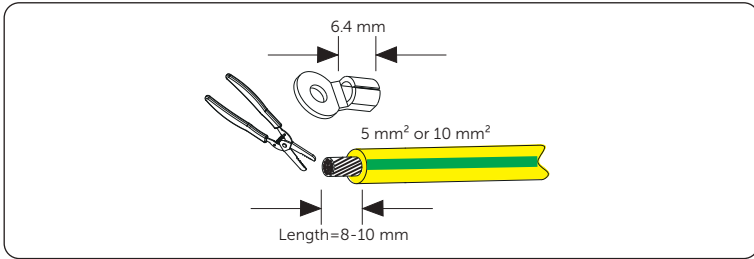


Figure 7-18 Stripping cable jacket

**NOTICE!**

- It's necessary to use controlled motion to strip the insulation down the wire, to prevent damage to the wires.
- Make sure that the insulation layer has been stripped to a sufficient length so that the center conductor is fully exposed without any damage or nicks. In addition, make sure that no extra insulation remains beyond the connector once it's crimped on.

**Step 2:** Cut the heat-shrink tubing to about 28 to 30 mm length, carefully slide it onto the end of the cable, and then carefully slip the wires all the way into the ring terminal (Part K or Part E4).

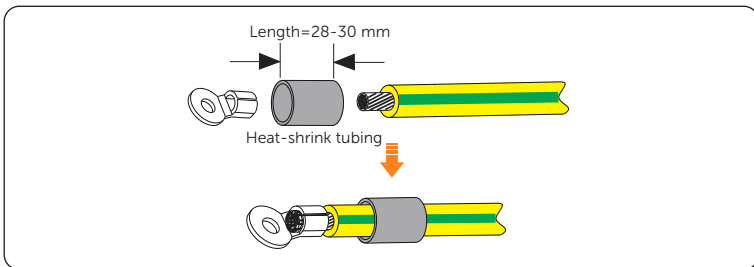


Figure 7-19 Cutting heat-shrink tubing

**Step 3:** Crimp the terminal, and heat the heat-shrink tubing after it wraps the end of terminal.

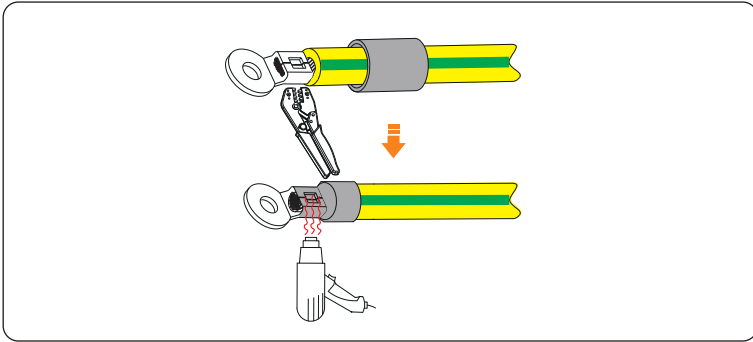


Figure 7-20 Crimping and heating

**NOTICE!**

- Do not place the conductor insulation into the terminal.
- Do not damage the conductor insulation while crimping.
- Move the heat gun back and forth slowly to distribute the heat evenly across the surface of heat shrink tubing.

**Step 4:** Unscrew the M5 screw, connect the assembled grounding cable to the grounding port of the battery pack, and then tighten M5 screw. (Torque for M5: 2.5-2.8 N·m).

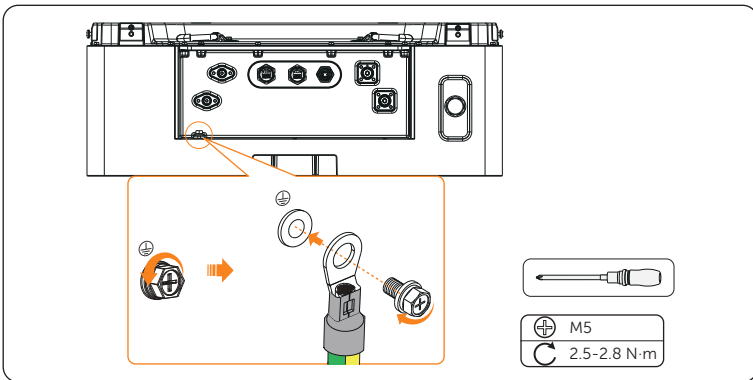


Figure 7-21 Tightening M5 screw

## 7.2.2 Communication Connection

To ensure normal operation between the battery pack and inverter, the end of the communication cable connecting to the inverter is required to make a RJ45 connector.

Make sure that the "BMS" port on the BMS connects to the inverter is Pin to Pin. The "BMS" port pin assignment is shown as follows:

Table 7-2 "BMS" port pin assignment

PIN	1	2	3	4	5	6	7	8
BMS	/	GND	GND	CAN-H	CAN-L	/	485A	485B

The wire sequence is shown as follows:

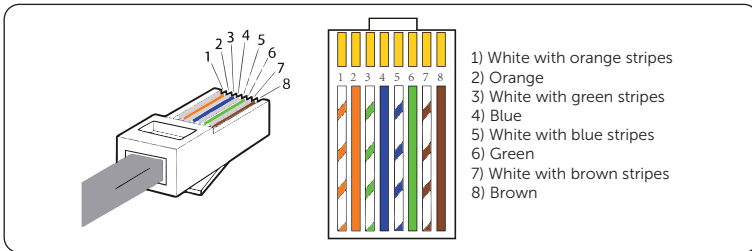


Figure 7-22 Wire sequence

Regarding the steps for making RJ45 connector to the communication cable (Part J), please do as follows:

**Step 1:** Rotate anti-clockwise to unscrew the waterproof cap, and strip the cable jacket about 15 mm down from the end.

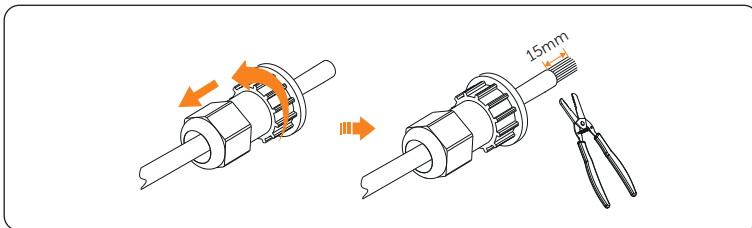


Figure 7-23 Stripping cable jacket

**Step 2:** Thread the cable through the waterproof cap, and carefully insert the wires all the way into the RJ45 connector, making sure that each wire passes through the appropriate guides inside the connector.

**Step 3:** Push the RJ45 inside the crimping tool and squeeze the crimper all the way down.

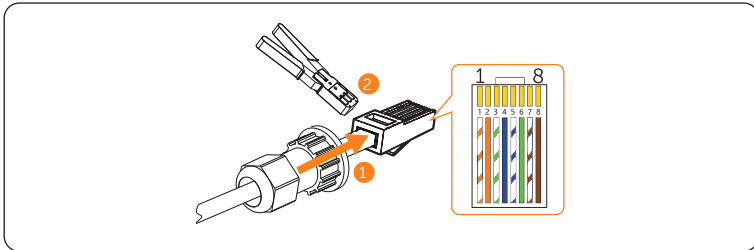


Figure 7-24 Crimping RJ45

**Step 4:** Rotate clockwise to tightening the waterproof cap after connecting to the inverter.

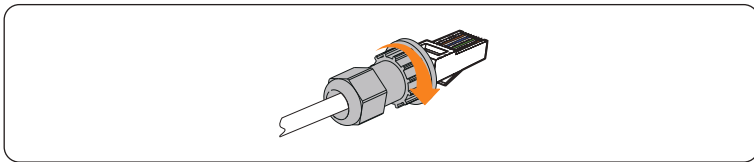


Figure 7-25 Rotating waterproof cap

**NOTICE!**

- The communication cable shall have a shield layer.
- The RJ45 and waterproof cap are delivered with the "Accessory Kit for Inverter". Regarding the detailed installation procedure, please refer to the inverter's *User Manual*.

The wire sequence of one terminal connecting to the series box is the same as the wire sequence of the other terminal connecting to the battery pack. The communication cable wire sequence is shown as follows:

Table 7-3 Communication cable wire sequence

PIN	1	2	3	4	5	6	7	8
COM B	/	/	/	CAN-H	CAN-L	/	12V	GND

### 7.2.3 Cable Connection among BMS, Series Box and Inverter

#### ! WARNING!

- Only the qualified personnel can perform the wiring.
- Follow this manual to wire connection. The device damage caused by incorrect cabling is not in the scope of warranty.

#### ! CAUTION!

- Use insulated tools and wear individual protective tools when connecting cables.
- The short power cable, short-circuit plug, and waterproof cap will be connected before delivery. In that case, do not remove them.

#### NOTICE!

- Before wiring, one end of the following cables connecting to the inverter, positive and negative power cables, and communication cable, should be made with a connector.
- If the number of battery packs is  $\geq 7$ , the wiring can be conducted first before installing the BMS.

**Step 1:** Press and hold button lock to unplug the short power cable.

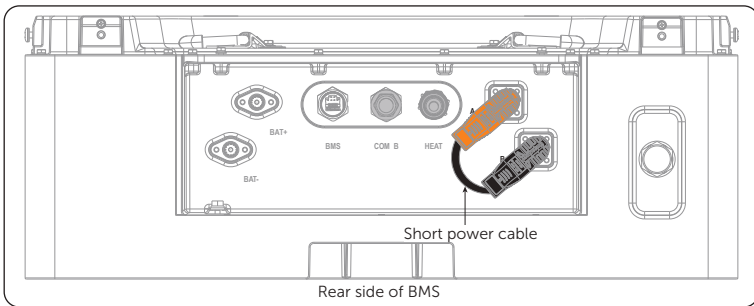


Figure 7-26 Unplugging cable

#### ! CAUTION!

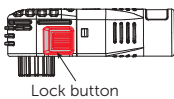


Figure 7-27 Connector on power cable

- Don't violently remove the power cables when they are locked. Otherwise, the connectors will be damaged.
- Press and hold the lock button to unplug the power cable.

**Step 2:** Rotate anti-clockwise to remove the waterproof cap, as well as the short-circuit plug.

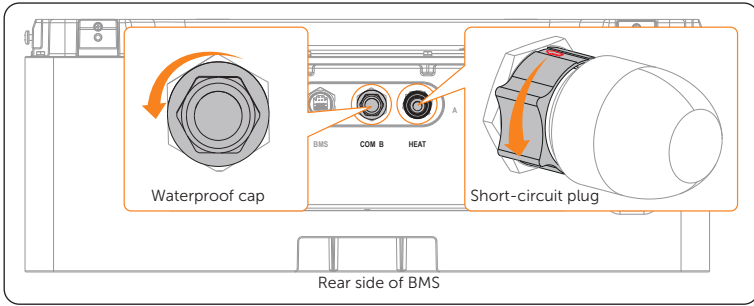


Figure 7-28 Removing waterproof cap and short-circuit plug

**NOTICE!**

- Don't violently remove the short-circuit plug.
- When the arrow on the rotating ring is aligned with the arrow on the port, the short-circuit plug can be removed.

**Step 3:** Take out the cable guard cover (Part G).

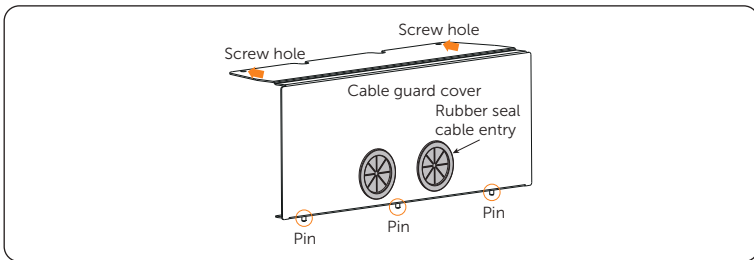


Figure 7-29 Details of cable guard cover

**Step 4:** Thread the cables through the rubber seal cable entry.

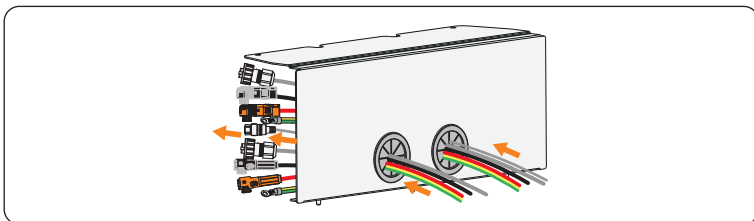


Figure 7-30 Threading cables

- Step 5:** Connect grounding cable to the inverter, see "7.2.1 PE Connection".
- Step 6:** Plug the positive power cable (Part H) to connect: "BAT+" port of the BMS and the "BAT+" port of the inverter;  
Plug the negative power cable (Part I) to connect: "BAT-" port of the BMS and the "BAT-" port of the inverter;  
Plug the communication cable (Part J) into the "BMS" port on the BMS and "BMS" port on the inverter, and tighten the cable by using rotation wrench (Part L).

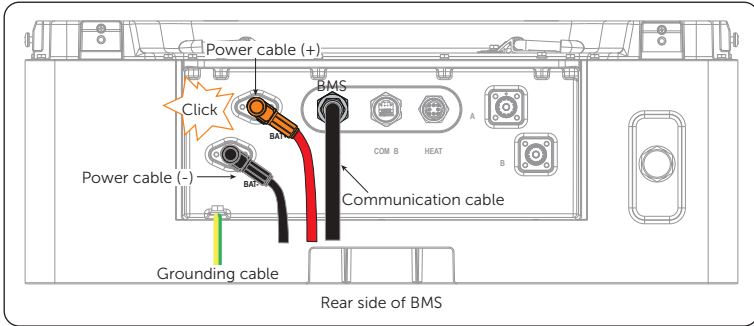


Figure 7-31 Connecting cables to inverter

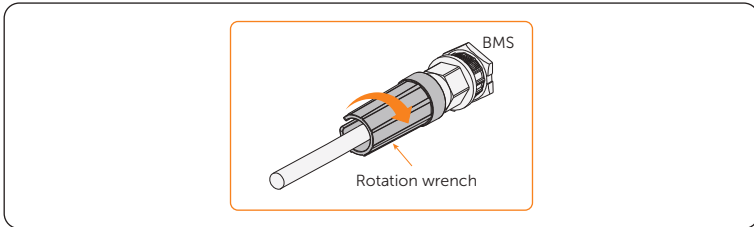


Figure 7-32 Closing communication cable


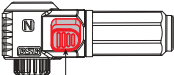
 CAUTION!	
 Lock button	<ul style="list-style-type: none"><li>• Don't violently remove the power cables when they are locked. Otherwise, the connectors will be damaged.</li><li>• Press and hold the lock button to unplug the power cable.</li></ul>

Figure 7-33 Connector on power cable

**Step 7:** Turn the rotating ring to keep the arrow on it and the arrow on the connector body in a straight line, then align to the port's groove to plug the heater cable (Part K2) to connect the "HEAT" port of the BMS and the "HEAT" port of the series box. Finally, rotate the rotating ring clockwise to tighten it.

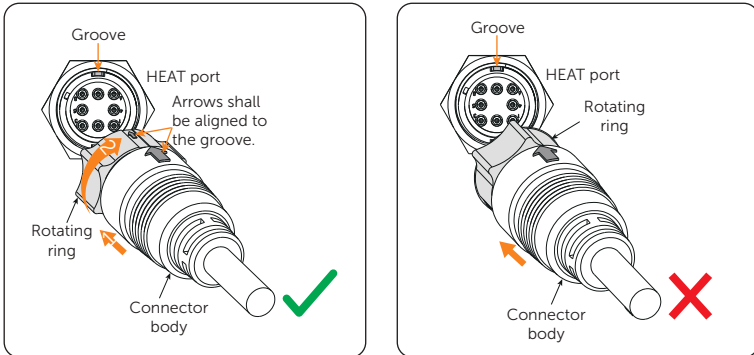


Figure 7-34 Plugging heater cable

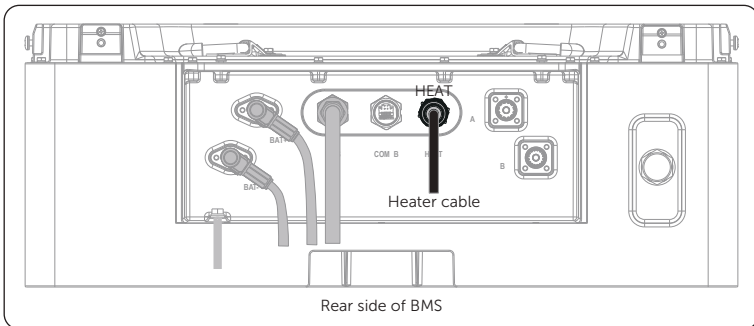


Figure 7-35 Diagram after installation of heater cable

- Step 8:** Connect grounding cable (Part L2) to the series box;  
Plug the positive power cable (Part H2) to connect: "A" port of the BMS and the "A" port of the series box;  
Plug the negative power cable (Part I2) to connect: "B" port of the BMS and the "B" port of the series box;  
Plug the communication cable (Part J2) to connect: "COM B" port of the BMS and "COM B" port of the series box, and tighten the cable by using rotation wrench (Part L).

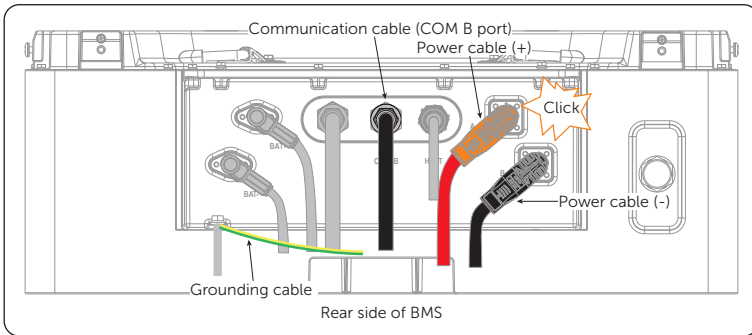


Figure 7-36 Connecting cables

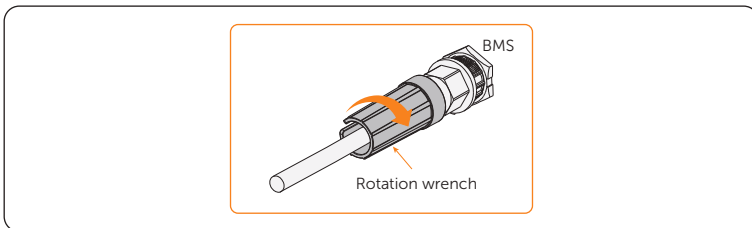


Figure 7-37 Closing communication cable

**CAUTION!**

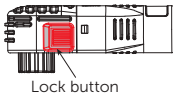


Figure 7-38 Connector on power cable

- Don't violently remove the power cables when they are locked. Otherwise, the connectors will be damaged.
- Press and hold the lock button to unplug the power cable.

**Step 9:** Insert such cover into holes on the BMS.

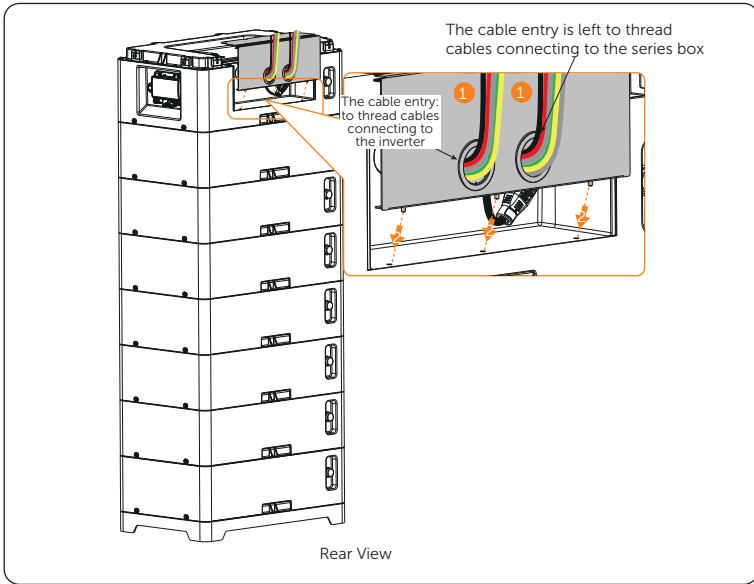


Figure 7-39 Inserting cable guard cover

**Step 10:** Correctly insert and tighten M4\*10 Phillips screw (Part C) to secure such cover. (M4: 2 pieces) (Torque for M4: 0.9-1.1 N·m)

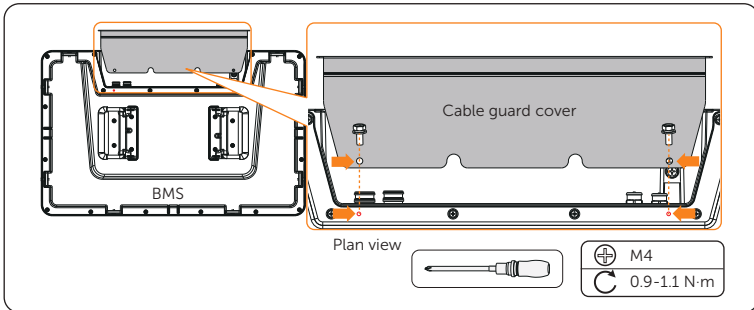


Figure 7-40 Tightening M4 screw

**Step 11:** Take out the cable guard cover (Part G2). Firstly, pull cables through the rubber seal cable entry on the cover. Secondly, insert the cover into the holes on the series box, and then insert and tighten the M4\*10 Phillips screw (Part C2) to secure it. (M4: 2 pieces) (Torque for M4: 0.9-1.1 N·m)

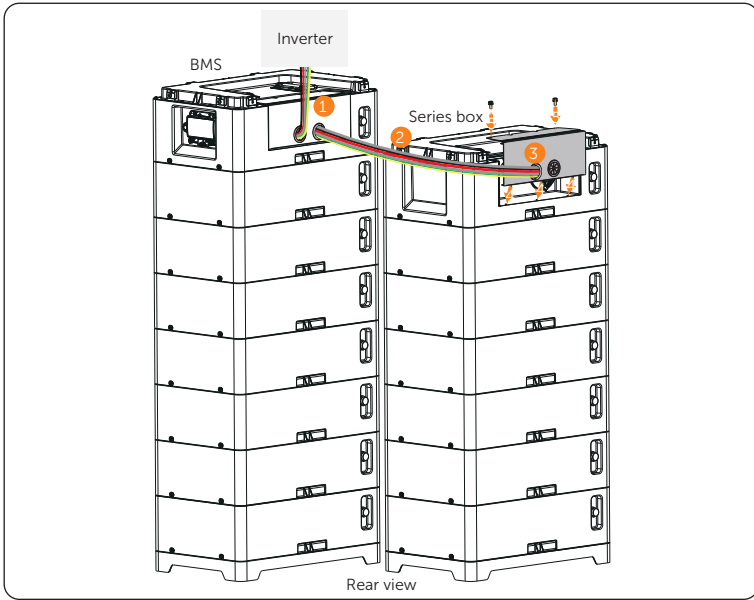


Figure 7-41 Pulling cables and securing cover

Step 12: Place the BMS cover and series box cover.

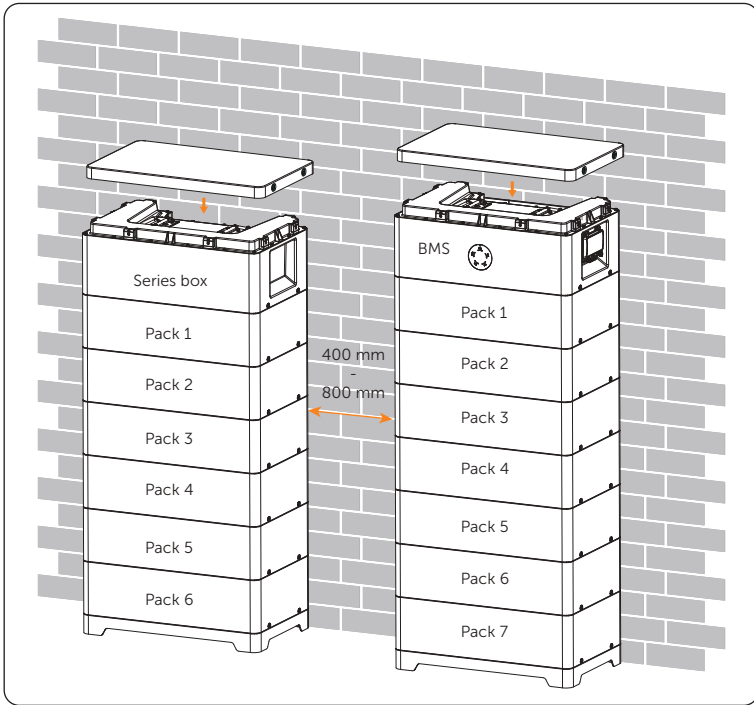


Figure 7-42 Placing covers

**Step 13:** Correctly insert and tighten the M5\*14 Phillips cheese head screw (Part F) to secure the base and battery pack. (M5: 4 pieces) (Torque for M5: 1.3-1.5 N·m)

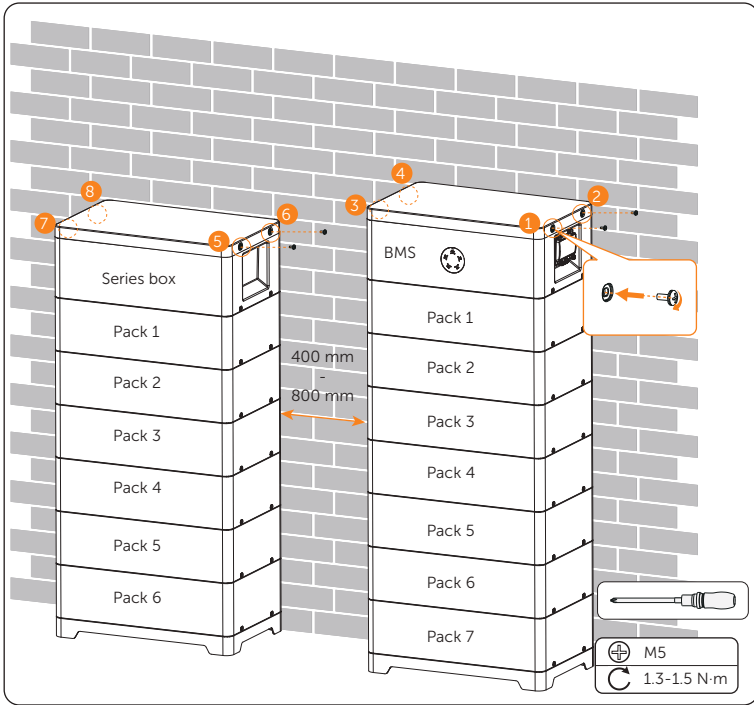


Figure 7-43 Tightening M5 screw

**NOTICE!**

- Please make sure that the corners and edges are aligned before tightening the screws.

# 8 System Commissioning

 **DANGER!**

- Wear PPE and use insulated tools to avoid electric shocks or short circuits.

## 8.1 Checking before Power-on

- Check whether the device is installed correctly and securely;
- Make sure that the breaker is at "OFF" position;
- All cables are connected correctly and securely;
- All unconnected port are covered;
- The installation space is proper, and the installation environment is clean and tidy.

## 8.2 One-cluster System Power-on

**Step 1:** Turn the screws on the cover counter-clockwise, and flip down the switch to open the breaker cover.

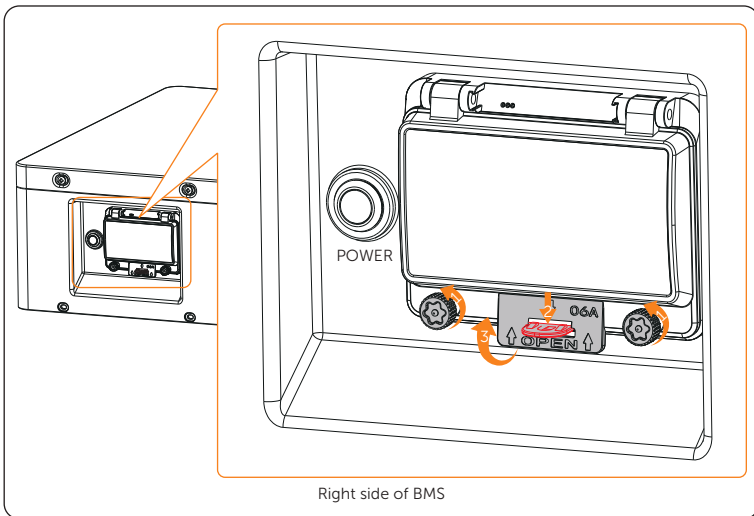


Figure 8-1 Opening cover

**Step 2:** Flip up the breaker, and hold and press the button for 1.5 seconds. In the meantime, the status light will flash yellow, and the SOC light will come on solid green. Finally, close the breaker cover.

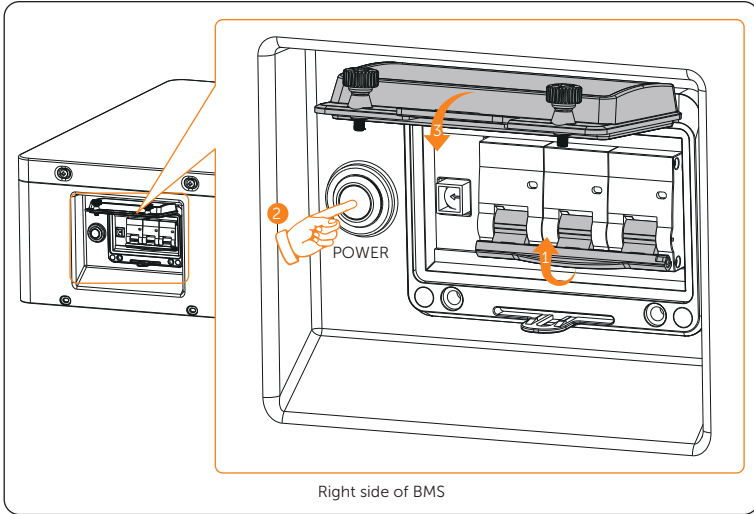


Figure 8-2 Flipping up the breaker and pressing the button

**NOTICE!**

- A system problem may be encountered while pressing the button frequently. The user may need to wait at least 10 seconds and then try again.

### 8.3 One-cluster System Power-off

Please follow the steps below to shut down the system.

**Step 1:** Please check that the inverter has been shut down.

**Step 2:** Turn the screws on the cover counter-clockwise, and flip down the switch to open the breaker cover.

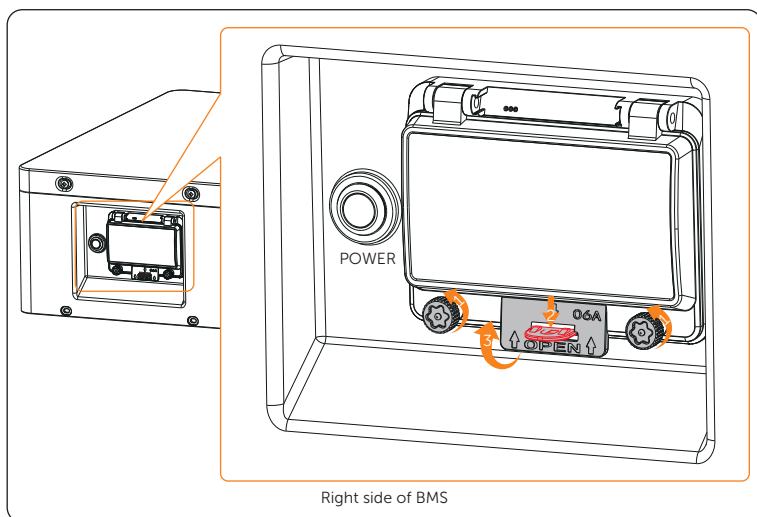


Figure 8-3 Opening cover

- Step 3:** Firstly, hold and press the button for 2 seconds. In the meantime, the status light will come on solid yellow, and the SOC light will come on solid green. And then both status light and SOC light are off. Secondly, flip down the breaker, and close the cover.

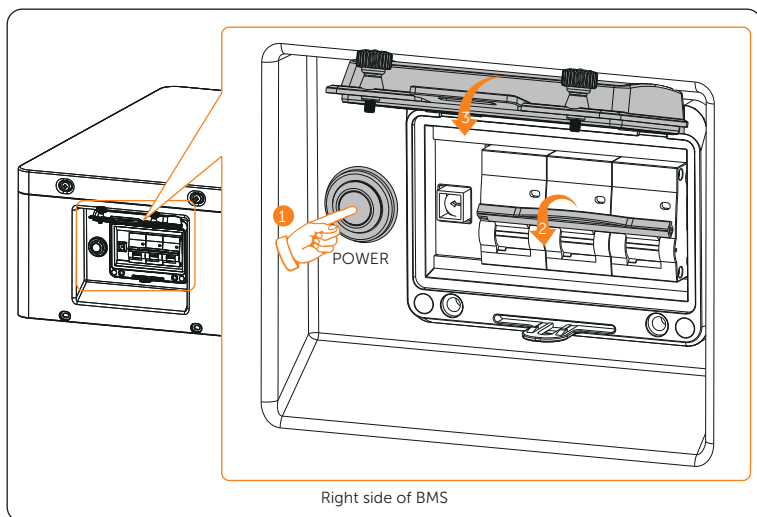


Figure 8-4 Pressing the button and flipping down the breaker

 **WARNING!**

- The device may still have power and heat after turning off, which may cause electric shock and personal injuries. Therefore, please allow it to cool for at least 5 minutes and wear PPE before conducting maintenance.

# 9 Capacity Expansion and Parallel Connection

---

## ⚠ WARNING!

- The following content in the chapter only applies to the SolaX inverter.

## 9.1 Capacity Expansion

### ⚠ DANGER!

- Wear PPE and use insulated tools to avoid electric shocks or short circuits when increasing number of battery packs.

### NOTICE!

- Please confirm that there is enough space to increase battery packs.
- Please make sure that the ground and wall where the additional battery packs will be installed can bear the weight.
- Take one tower with 4 battery packs, for instance.

If users want to increase **a battery pack** to achieve capacity expansion, please strictly follow steps below:

**Step 1:** Please check that the inverter has been shut down.

**Step 2:** Turn the screws on the cover counter-clockwise, and flip down the switch to open the breaker cover.

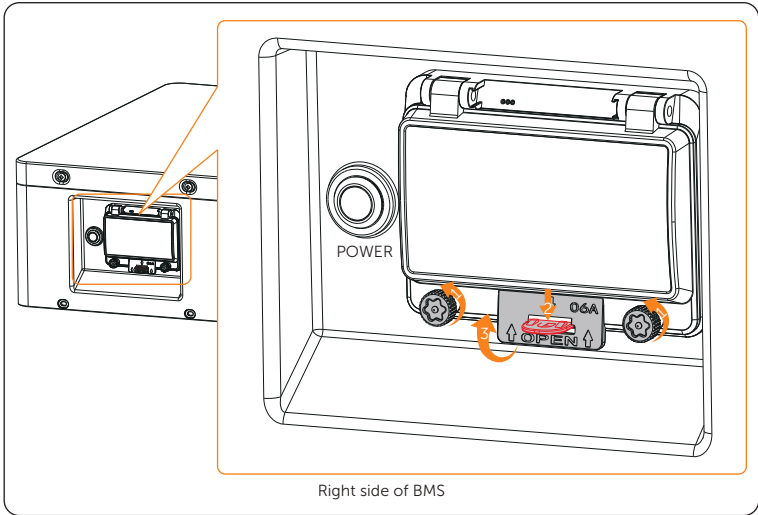


Figure 9-1 Opening cover

**Step 3:** Firstly, hold and press the button for 2 seconds. In the meantime, the status light will come on solid yellow, and the SOC light will come on solid green. And then both status light and SOC light are off. Secondly, flip down the breaker, and close the cover.

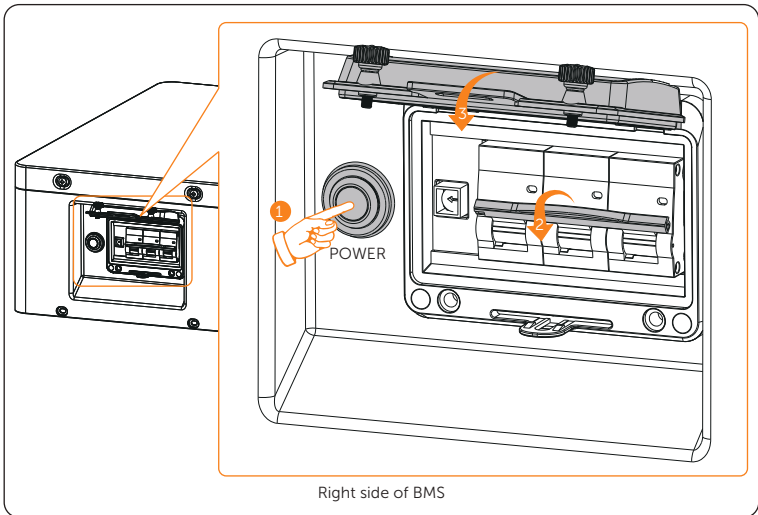


Figure 9-2 Pressing the button and flipping down the breaker

**Step 4:** Unscrew the M5\*14 Phillips cheese head screw to remove the BMS cover. (M5: 4 pieces)

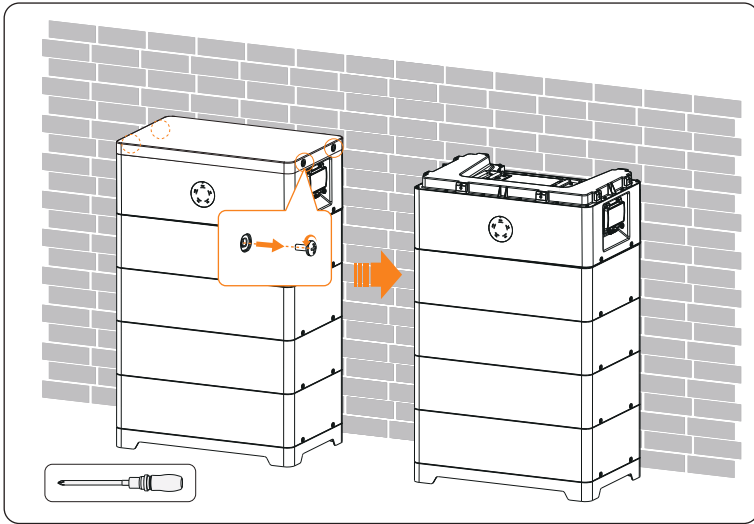


Figure 9-3 Removing BMS cover

**Step 5:** Unscrew the M4\*10 Phillips screw to remove the cable guard cover. (M4: 2 pieces)

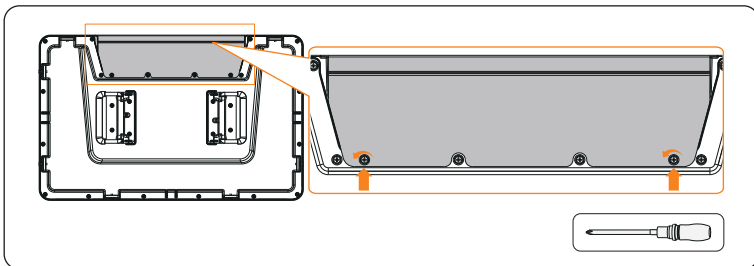


Figure 9-4 Removing cable guard cover

**Step 6:** Press and hold the lock button to unplug power cables

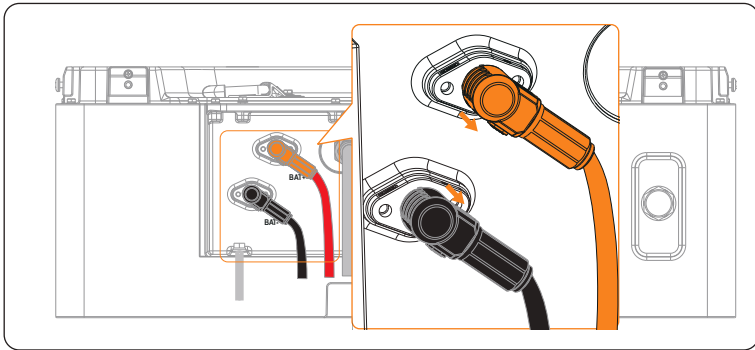


Figure 9-5 Unplugging power cable

**CAUTION!**

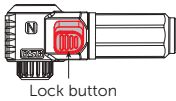


Figure 9-6 Connector on power cable

- Don't violently remove the power cables when they are locked. Otherwise, the connectors will be damaged.
- Press and hold the lock button to unplug the power cable.

**Step 7:** Place the rotation wrench onto the communication cable, and rotate anti-clockwise to unplug it.

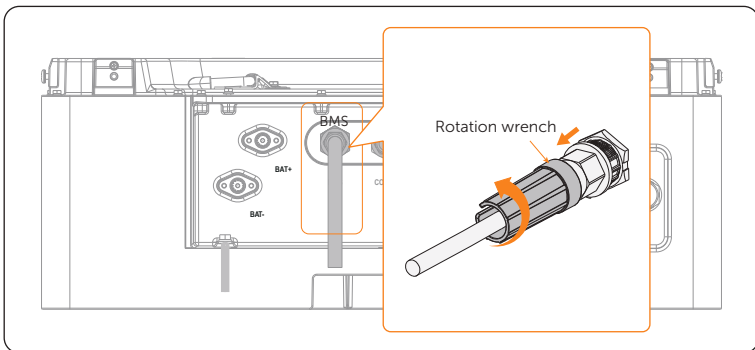


Figure 9-8 Unplugging communication cable

**Step 8:** Unscrew the M5 screw to disassemble the grounding cable.

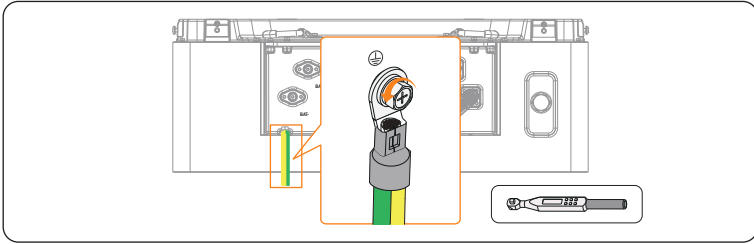


Figure 9-9 Disassembling grounding cable

**Step 9:** Unscrew the M5\*14 Phillips cheese head screw to remove the BMS. (M5: 4 pieces)

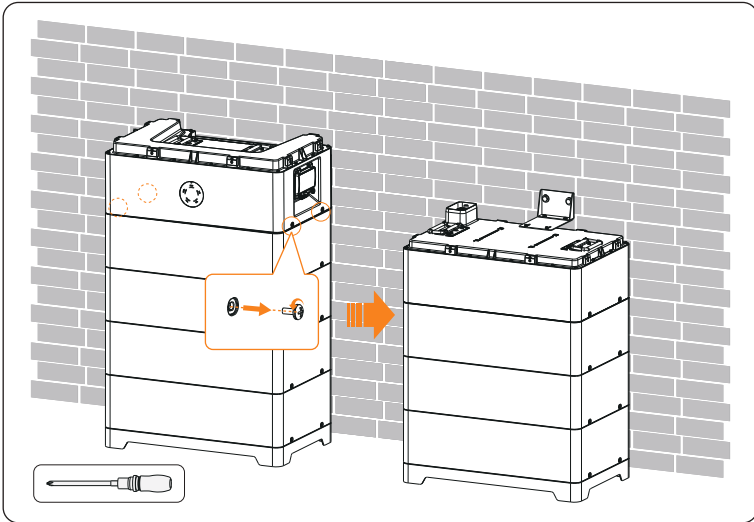


Figure 9-10 Removing BMS

**Step 10:** Unscrew self-tapping screw and M4\*10 Phillips screw to remove the assembled bracket. (Self-tapping screw: 2 pieces; M4: 2 pieces)

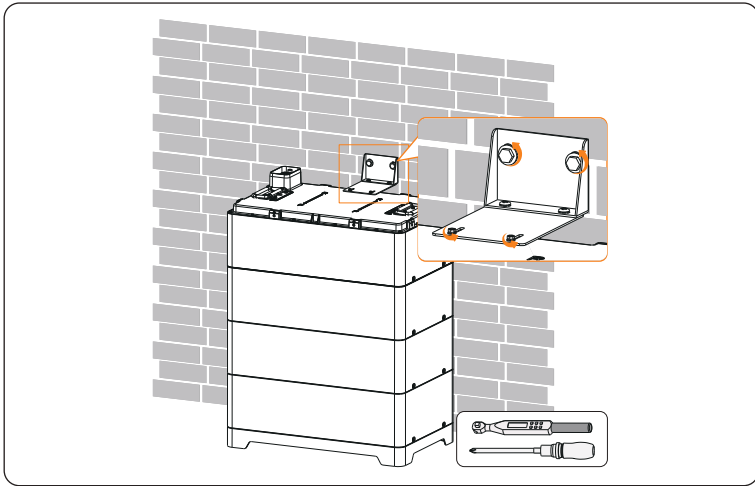


Figure 9-11 Removing assembled bracket

**Step 11:** If the user want to increase a battery pack, place a battery pack, and correctly insert and tighten the M5\*14 Phillips cheese head screw (Part A1) to secure the battery packs. (M5: 4 pieces) (Torque for M5: 1.3-1.5 N·m)

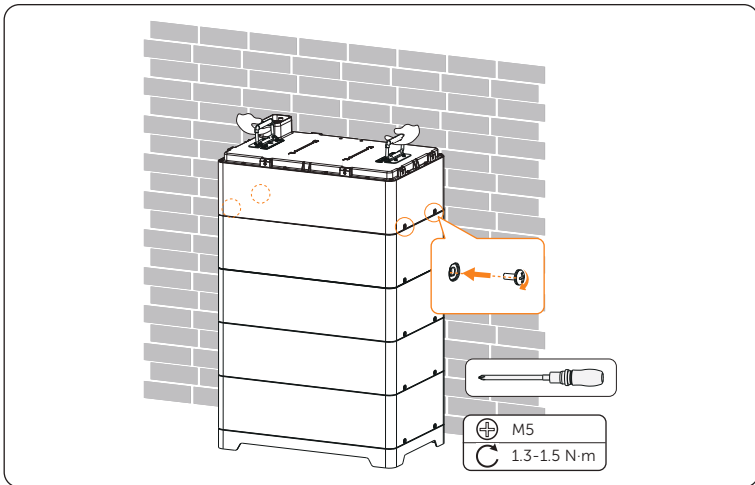


Figure 9-12 Placing battery pack and securing M5 screw

**Step 12:** Attach and secure the assembled bracket, place the BMS, cable guard cover and BMS cover, and correctly connect cables. For the detailed steps, In the case of one tower after capacity expansion, please refer to "[6 Installation and Wiring about One Tower](#)". In the case of two towers after capacity expansion, please refer to "[7 Installation and Wiring about Two Towers](#)".

## 9.2 Parallel Connection

To render it highly suitable for scenarios that demand ample capacity, the battery pack supports to be connected in parallel.

# 10 Troubleshooting and Maintenance

## 10.1 Maintenance

Regular maintenance is required for the device. The table below lists the operational maintenance for expressing the optimum device performance. More frequent maintenance service is needed in the worse work environment. Please make records of the maintenance.

### WARNING!

- Only qualified person can perform the maintenance for the device.
- Wear PPE before conducting maintenance.

### CAUTION!

- The system must be powered off before conducting maintenance works, for instance, system cleaning, electrical connections, grounding cable checks.

Table 10-1 Maintenance list

Check Item	Description	Period
Running status of the system	<ul style="list-style-type: none"><li>• Check whether there is any damage or deformation to the device.</li><li>• Check whether there are any abnormal noise in the running system.</li></ul>	Every 6 months
Electrical connections	<ul style="list-style-type: none"><li>• Check whether the cables are fastened securely. If not, please tighten them again according to the torque written in the document.</li><li>• Check there is any damage to the cables, especially the cable jacket connecting with the metal parts.</li><li>• Check whether the unconnected ports are covered.</li></ul>	The first maintenance should be scheduled within half a year after the first commissioning, and then check them every 6-12 months.
Grounding cable checks	<ul style="list-style-type: none"><li>• Check whether the grounding cable is firmly attached.</li></ul>	The first maintenance should be scheduled within half a year after the first commissioning, and then check them every 6-12 months.

## 10.2 Troubleshooting

This section lists the possible problems with the device, and provides information and procedures for identifying and resolving them. In case of any errors, users can:

- Log in the cloud platform ([www.solaxcloud.com](http://www.solaxcloud.com)) to check for the warnings or error messages, and then solve it according to the following table;
- Check for the warnings or error messages through the inverter; or
- Contact the company's after-sales personnel to solve it.

For further assistance, contact SolaX Customer Service. Please provide the model and SN of the device, and be prepared to describe the system installation details.

Table 10-2 Troubleshooting information

Fault	Description	Diagnosis & Solution
Internal communication fault	Abnormal communication between the battery pack and BMS	Abnormal communication between the battery pack and BMS: <ul style="list-style-type: none"> <li>• Contact the company's after-sales personnel.</li> </ul>
Cell overvoltage	Battery cell overvoltage	Battery cell overvoltage: <ul style="list-style-type: none"> <li>• Contact the company's after-sales personnel.</li> </ul>
Overvoltage of total voltage	Overvoltage of battery's total voltage	Overvoltage of battery's total voltage: <ul style="list-style-type: none"> <li>• Contact the company's after-sales personnel.</li> </ul>
Cell undervoltage	Battery cell undervoltage	Battery cell undervoltage: <ul style="list-style-type: none"> <li>• Contact the company's after-sales personnel.</li> </ul>
Undervoltage of total voltage	Undervoltage of battery's total voltage	Undervoltage of battery's total voltage: <ul style="list-style-type: none"> <li>• Battery is force to charge through inverter;</li> <li>• Contact the company's after-sales personnel.</li> </ul>
Charge overcurrent	Charge overcurrent of battery pack	Charge overcurrent of battery pack: <ul style="list-style-type: none"> <li>• Restart the BMS;</li> <li>• Contact the company's after-sales personnel.</li> </ul>
Discharge overcurrent	Discharge overcurrent of battery pack	Discharge overcurrent of battery pack: <ul style="list-style-type: none"> <li>• Restart the BMS;</li> <li>• Contact the company's after-sales personnel.</li> </ul>

Fault	Description	Diagnosis & Solution
High temperature	High temperature of battery pack	The temperature of battery pack is too high: <ul style="list-style-type: none"> <li>It is suggested to shut down the device, and then restart it after it returns to normal temperature;</li> <li>Contact the company's after-sales personnel.</li> </ul>
Low temperature	Low temperature of battery pack	The temperature of battery pack is too low: <ul style="list-style-type: none"> <li>It is suggested to shut down the device, and then restart it after it returns to normal temperature;</li> <li>Contact the company's after-sales personnel.</li> </ul>
Insulation fault	Low insulation resistance	Low insulation resistance" <ul style="list-style-type: none"> <li>Contact the company's after-sales personnel.</li> </ul>
Voltage sensor fault	Voltage sensor fault	Voltage sampling fault of the BMS: <ul style="list-style-type: none"> <li>Restart the BMS;</li> <li>Contact the company's after-sales personnel.</li> </ul>
Cell temperature fault	Cell temperature sampling fault of battery pack	Cell temperature sampling fault of the battery pack: <ul style="list-style-type: none"> <li>Restart the BMS;</li> <li>Contact the company's after-sales personnel.</li> </ul>
Current sensor fault	Current sampling fault of the BMS	Current sampling fault of the BMS: <ul style="list-style-type: none"> <li>Restart the BMS;</li> <li>Contact the company's after-sales personnel.</li> </ul>
Relay fault	Relay contact adhesion	Relay contact adhesion: <ul style="list-style-type: none"> <li>Restart the BMS;</li> <li>Contact the company's after-sales personnel.</li> </ul>
Precharge fault	Precharge fault of the battery pack	Precharge fault of the battery pack: <ul style="list-style-type: none"> <li>Check the wires between the BMS and inverter are connected properly;</li> <li>Contact the company's after-sales personnel.</li> </ul>
Breaker fault	Breaker disconnection of the BMS	Breaker disconnection of the BMS: <ul style="list-style-type: none"> <li>Check the breaker state, and then restart the BMS;</li> <li>Contact the company's after-sales personnel.</li> </ul>

Fault	Description	Diagnosis & Solution
System fault	Battery system fault	Battery system fault: <ul style="list-style-type: none"> <li>• Check the breaker;</li> <li>• Contact the company's after-sales personnel.</li> </ul>
Battery cell sampling fault	Contact separation of battery cell sampling	Contact separation of battery cell sampling: <ul style="list-style-type: none"> <li>• Restart the BMS;</li> <li>• Contact the company's after-sales personnel.</li> </ul>

# 11 Decommissioning

## 11.1 Disassembly of Cables

### ! WARNING!

- Only the qualified personnel can perform disassembly of cables.
- To avoid electric shocks, use insulated tools and wear individual protective tools when disassembly of cables.

### NOTICE!

- Take one tower, for instance.

**Step 1:** Please check that the inverter has been shut down.

**Step 2:** Turn the screws on the cover counter-clockwise, and flip down the switch to open the breaker cover.

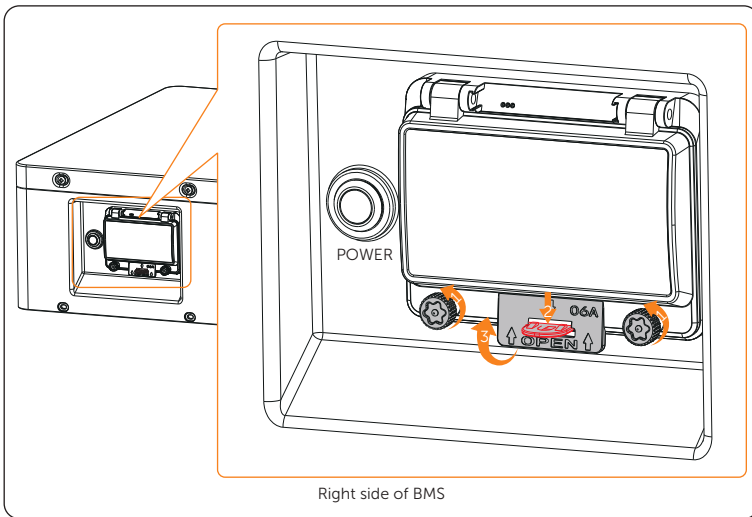


Figure 11-1 Opening cover

**Step 3:** Firstly, hold and press the button for 2 seconds. In the meantime, the status light will come on solid yellow, and the SOC light will come on solid green. And then both status light and SOC light are off. Secondly, flip down the breaker, and close the cover.

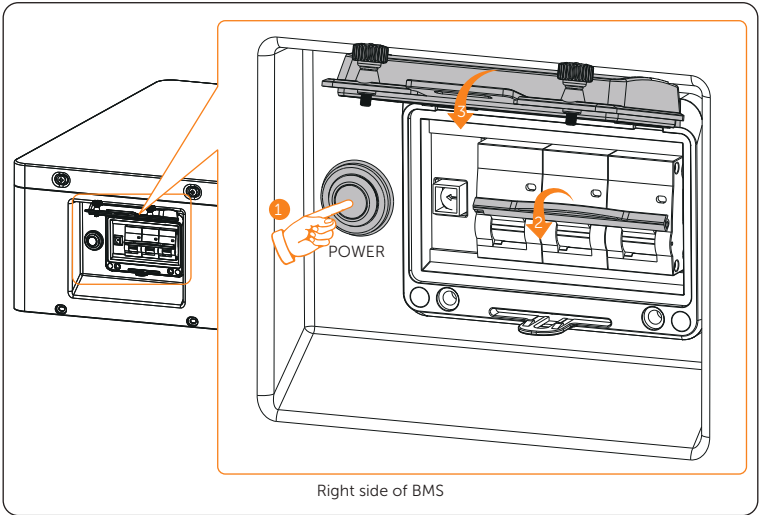


Figure 11-2 Pressing the button and flipping down the breake

Step 4: Press and hold the lock button to unplug power cables

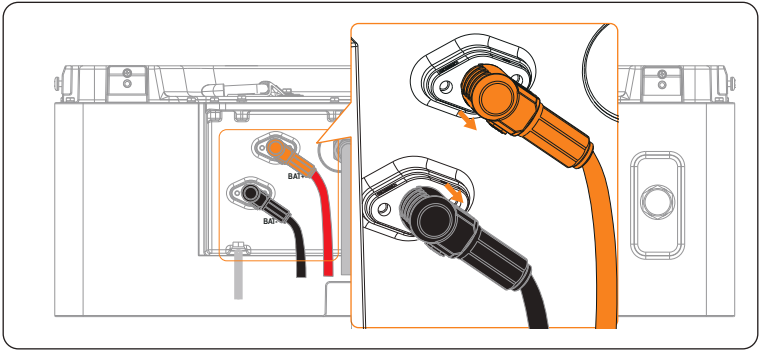


Figure 11-3 Unplugging power cable

**CAUTION!**

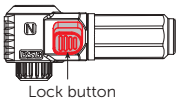


Figure 11-4 Connector on power cable

- Don't violently remove the power cables when they are locked. Otherwise, the connectors will be damaged.
- Press and hold the lock button to unplug the power cable.

**Step 5:** Place the rotation wrench onto the communication cable, and rotate anti-clockwise to unplug it.

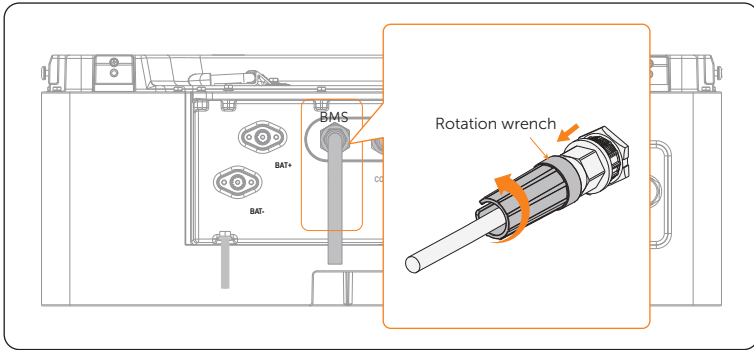


Figure 11-5 Unplugging communication cable

**Step 6:** Unscrew the screws to disassemble the grounding cable.

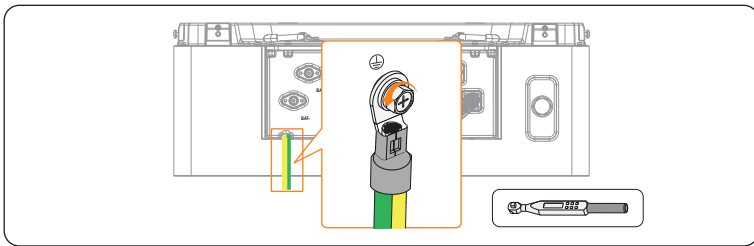


Figure 11-6 Disassembling grounding cable

## 11.2 Packing

- Load the BMS and battery packs into the original packing material if possible.
- If the original packing material is not available, you can also use the packing material which meets the following requirements:
  - » Suitable for the weight of product;
  - » Easy to carry;
  - » Be capable of being closed completely.

# 12 Technical Data

## Configuration List

No.	Model	BMS	Battery pack	Nominal Energy (kWh)	Operating Voltage (Vdc)
1	T-HS10.2	TBMS-S51-8 × 1	TB-HS51 × 2	10.2	85-116
2	T-HS15.3	TBMS-S51-8 × 1	TB-HS51 × 3	15.3	128-174
3	T-HS20.4	TBMS-S51-8 × 1	TB-HS51 × 4	20.4	170-232
4	T-HS25.6	TBMS-S51-8 × 1	TB-HS51 × 5	25.6	212-289
5	T-HS30.7	TBMS-S51-8 × 1	TB-HS51 × 6	30.7	255-347
6	T-HS35.8	TBMS-S51-8 × 1	TB-HS51 × 7	35.8	297-405
7	T-HS40.9	TBMS-S51-8 × 1	TB-HS51 × 8	40.9	340-463
8	T-HS46.0	TBMS-S51-8 × 1	TB-HS51 × 9	46.0	382-520
9	T-HS51.2	TBMS-S51-8 × 1	TB-HS51 × 10	51.2	424-578
10	T-HS56.3	TBMS-S51-8 × 1	TB-HS51 × 11	56.3	467-636
11	T-HS61.4	TBMS-S51-8 × 1	TB-HS51 × 12	61.4	509-694
12	T-HS66.5	TBMS-S51-8 × 1	TB-HS51 × 13	66.5	552-750

## Performance Parameter

Item	Module						
	T-HS10.2	T-HS15.3	T-HS20.4	T-HS25.6	T-HS30.7	T-HS35.8	
Nominal Voltage (V)	102.4	153.6	204.8	256.0	307.2	358.4	
Operating Voltage Range (V)	85-116	128-174	170-232	212-289	255-347	297-405	
Nominal Capacity (Ah) <sup>1</sup>	100	100	100	100	100	100	
Nominal Energy (kWh) <sup>1</sup>	10.2	15.3	20.4	25.6	30.7	35.8	
Usable Energy 90% DOD (kWh) <sup>2</sup>	9.1	13.7	18.3	23.0	27.6	32.2	
Max. Charge/Discharge Current (A) <sup>3</sup>	70	70	70	70	70	70	
Nominal Power (kW) <sup>5</sup>	6.1	9.2	12.3	15.4	18.4	21.5	
Max. Power (kW)	7.2	10.8	14.3	17.9	21.5	25.1	
Short-circuit Current (A)	3981	3981	3981	3981	3981	3981	
Battery Round-trip Efficiency (0.2 C, 25°C)	95%						
Expected Lifetime (25°C)	10 years						
Cycle Life 90% DOD (25°C)	6000 cycles						
Charge Temperature	-30°C ~ 53°C (on heating function); 0°C ~ 53°C (off heating function) <sup>4</sup>						
Discharge Temperature	-30°C ~ 53°C (on heating function); -20°C ~ 53°C (off heating function) <sup>4</sup>						
Storage Temperature	-20°C ~ 30°C (12 months), 30°C ~ 50°C (6 months)						
Ingress Protection	IP66						
Relative Humidity (%)	4 ~ 100 (Condensing)						
Protection Class	I						

Next table continued

## Technical Data

Item	Module						
	T-HS40.9	T-HS46.0	T-HS51.2	T-HS56.3	T-HS61.4	T-HS66.5	
Nominal Voltage (V)	409.6	460.8	512.0	563.2	614.4	665.6	
Operating Voltage Range (V)	340-463	382-520	424-578	467-636	509-694	552-750	
Nominal Capacity (Ah) <sup>1</sup>	100	100	100	100	100	100	
Nominal Energy (kWh) <sup>1</sup>	40.9	46.0	51.2	56.3	61.4	66.5	
Usable Energy 90% DOD (kWh) <sup>2</sup>	36.8	41.4	46.0	50.6	55.2	59.8	
Max. Charge/Discharge Current (A) <sup>3</sup>	70	70	70	70	70	70	
Nominal Power (kW) <sup>5</sup>	24.6	27.6	30.7	33.8	36.9	39.9	
Max. Power (kW)	28.7	32.3	35.8	39.4	43.0	46.6	
Short-circuit Current (A)	3981	3981	3981	3981	3981	3981	
Battery Round-trip Efficiency (0.2 C, 25°C)	95%						
Expected Lifetime (25°C)	10 years						
Cycle Life 90% DOD (25°C)	6000 cycles						
Charge Temperature	-30°C ~ 53°C (on heating function); 0°C ~ 53°C (off heating function) <sup>4</sup>						
Discharge Temperature	-30°C ~ 53°C (on heating function); -20°C ~ 53°C (off heating function) <sup>4</sup>						
Storage Temperature	-20°C ~ 30°C (12 months), 30°C ~ 50°C (6 months)						
Relative Humidity (%)	4 ~ 100 (Condensing)						
Ingress Protection	IP66						
Protection Class	I						

## Fuse Parameter

Component Type	DC Fuse
Fuse Type	EV / HEV
Rated Voltage (Vdc & Vac)	750 Vdc
Rated Current	100 A

### NOTICE!

- 1 Test conditions: 100% DOD, 0.2 C charge & discharge @ +25°C.
- 2 90% DOD; System usable energy may vary with inverter different setting.
- 3 Discharge: In case of battery cell's temperature range of -20°C~+5°C and +45°C~+53°C, the discharge current will be reduced;  
Charge: In case of battery cell's temperature range of 0°C~+20°C and +45°C~+53°C, the charge current will be reduced. Product charge or discharge power depends on the actual temperature of battery pack.
- 4 The battery can only be discharged and cannot be charged at the range of from -20°C to 0°C
- 5 In case of a rated current of 30 A, the wire size of 6 mm<sup>2</sup> for cables (including grounding cable) is recommended;  
In case of a rated current of 60 A, the wire size of 10 mm<sup>2</sup> for cables (including grounding cable) is recommended.

# Contact Information



## UNITED KINGDOM

---

- Unit C-D Riversdale House, Riversdale Road, Atherstone, CV9 1FA
- +44 (0) 2476 586 998
- [service.uk@solaxpower.com](mailto:service.uk@solaxpower.com)



## TURKEY

---

- Fevzi Çakmak mah. aslım cd. no 88 A Karatay / Konya / Türkiye
- [service.tr@solaxpower.com](mailto:service.tr@solaxpower.com)



## USA

---

- 3780 Kilroy Airport Way, Suite 200, Long Beach, CA, US 90806
- +1 (408) 690 9464
- [info@solaxpower.com](mailto:info@solaxpower.com)



## POLAND

---

- WARSAW AL. JANA P. II 27. POST
- +48 662 430 292
- [service.pl@solaxpower.com](mailto:service.pl@solaxpower.com)



## ITALY

---

- +39 011 19800998
- [support@solaxpower.it](mailto:support@solaxpower.it)



## PAKISTAN

---

- [service.pk@solaxpower.com](mailto:service.pk@solaxpower.com)



## AUSTRALIA

---

- 21 Nicholas Dr, Dandenong South VIC 3175
- +61 1300 476 529
- [service@solaxpower.com.au](mailto:service@solaxpower.com.au)



## GERMANY

---

- Am Tullnaupark 8, 90402 Nürnberg, Germany
- +49 (0) 6142 4091 664
- [service.eu@solaxpower.com](mailto:service.eu@solaxpower.com)
- [service.dach@solaxpower.com](mailto:service.dach@solaxpower.com)



## NETHERLANDS

---

- Twekkeler-Es 15 7547 ST Enschede
- +31 (0) 8527 37932
- [service.eu@solaxpower.com](mailto:service.eu@solaxpower.com)
- [service.bnl@solaxpower.com](mailto:service.bnl@solaxpower.com)



## SPAIN

---

- +34 9373 79607
- [tecnico@solaxpower.com](mailto:tecnico@solaxpower.com)



## BRAZIL

---

- +55 (34) 9667 0319
- [info@solaxpower.com](mailto:info@solaxpower.com)



## SOUTH AFRICA

---

- [service.za@solaxpower.com](mailto:service.za@solaxpower.com)



**SolaX Power Network Technology (Zhejiang) Co., Ltd.**

Add.: No. 278, Shizhu Road, Chengnan Sub-district, Tonglu County,  
Hangzhou, Zhejiang, China  
E-mail: [info@solaxpower.com](mailto:info@solaxpower.com)

